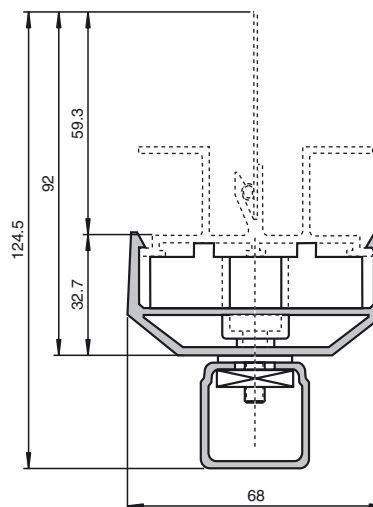




## Dimensions



### Model number

**WCS2-MH2**

Rail bracket with screwed connection for C profile rails

### Features

- Profile rail simply snap-on

### Matching system components

#### WCS2-PS1

WCS2 profile rail

#### WCS3-GT09-P1-O

WCS3 guiding trolley for the WCS3B read head with protective enclosure, outdoor use

#### WCS2-GT09-P1

WCS2 guiding trolley

#### WCS-MF1

Wrist strap

#### WCS2-MC1

Butt connector, aluminum

#### WCS2-LB1

WCS2 locking bracket

#### WCS2-PS1-C-2,5M

WCS2 profile rail, coated

#### WCS2-PS1-C

WCS2 profile rail, coated

#### WCS2-PS1-8FT

WCS2 profile rail

#### WCS2-PS1-2,5M

WCS2 profile rail

### Technical data

#### Mechanical specifications

Material	Polyamide (PA)
Mass	20 g

### Notes

Rail holders, into which the profile rail is clipped, are available for rapid installation of the aluminium profile rail. The rail holders are available in three different versions.

The screw-on holder WCSx-MH1 is bolted to the substructure, the holder for fitting in a C profile WCSx-MH2 is designed for installation in a C profile rail (30 mm x 32 mm). The holder WCSx-MH comes without any mounting elements.