



Model Number

OMH-LS610-03

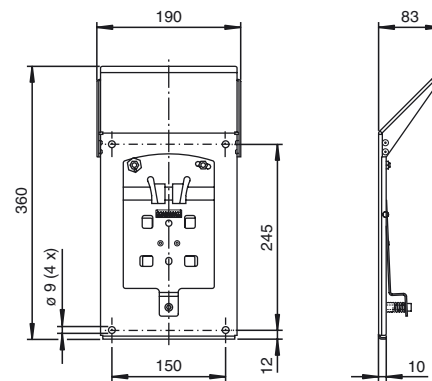
Mounting bracket with deviation mirror for optical data coupler

Features

- Mounting bracket
- Fixing with latching spring or latch fastener for easy installation

quick clamping and adjustment service with integrated reflector surface for 90° deflection for Series LS610/LS611

Dimensions



Technical data

Mechanical specifications

Material	Stainless steel
Mass	approx. 1580 g

Suitable series

Series	LS610 LS611 LS680 , LS682
--------	---------------------------------