

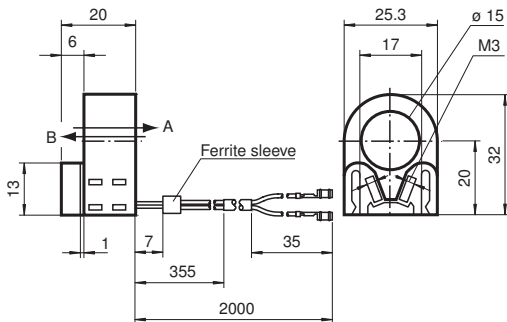
# Inductive ring sensor

## RC15-14-N3-Y187458

- 15 mm inside diameter
- Comfort series



### Dimensions



### Technical Data

General specifications		
Switching function		Normally closed (NC)
Output type		NAMUR, bistable
Inside diameter		15 mm
Measuring cone		6 mm, 1.4401
Passage speed	v	≤ 10 m/s
Output type		2-wire
Nominal ratings		
Nominal voltage	U <sub>o</sub>	8 V
Operating voltage	U <sub>B</sub>	5 ... 25 V
Hysteresis	H	typ. 1 %
Reverse polarity protection		reverse polarity protected
Current consumption		
Passage B U <sub>B</sub> =8V		≥ 3 mA
Passage B U <sub>B</sub> =10V		≥ 4.2 mA
Passage A U <sub>B</sub> =10V		0.5 ... 1 mA typ. 0.9 mA
Passage A U <sub>B</sub> =8V		0.5 ... 0.95 mA typ. 0.8 mA
Power ON		≥ 3 mA with U <sub>B</sub> = 8 V ≥ 4.2 mA at U <sub>B</sub> = 10
Time delay before availability	t <sub>v</sub>	≤ 5 ms

Release date: 2020-03-25 Date of issue: 2020-03-30 Filename: 187458\_eng.pdf

Refer to "General Notes Relating to Pepperl+Fuchs Product Information".

Pepperl+Fuchs Group  
www.pepperl-fuchs.com

USA: +1 330 486 0001  
fa-info@us.pepperl-fuchs.com

Germany: +49 621 776 1111  
fa-info@de.pepperl-fuchs.com

Singapore: +65 6779 9091  
fa-info@sg.pepperl-fuchs.com

PEPPERL+FUCHS

## Technical Data

Functional safety related parameters		
MTTF <sub>d</sub>		2130 a
Mission Time (T <sub>M</sub> )		20 a
Diagnostic Coverage (DC)		0 %
Compliance with standards and directives		
Standard conformity		
NAMUR		EN 60947-5-6:2000 IEC 60947-5-6:1999
Standards		EN 60947-5-2:2007 IEC 60947-5-2:2007
Approvals and certificates		
UL approval		cULus Listed, General Purpose
CSA approval		cCSAus Listed, General Purpose
Ambient conditions		
Ambient temperature		-25 ... 75 °C (-13 ... 167 °F)
Storage temperature		-40 ... 100 °C (-40 ... 212 °F)
Mechanical specifications		
Connection type		cable PVC , 2 m Crimp terminal sockets 60888-3, AMP
Core cross-section		0.14 mm <sup>2</sup>
Housing material		PBT
Degree of protection		IP67
Cable		
Bending radius		> 10 x cable diameter
Mass		36 g
Equipment protection level Gb		
CE marking		[*PD-Z02585A*]
ATEX marking		Ⓔ II 2G Ex ia IIC T6...T1 Gb The Ex-related marking can also be printed on the enclosed label.
Standards		EN 60079-0:2012+A11:2013, EN 60079-11:2012 Ignition protection "Intrinsic safety" Use is restricted to the following stated conditions
Appropriate type		RC15-...-N3...
Effective internal capacitance	C <sub>i</sub>	max. 90 nF ; a cable length of 10 m is considered.
Effective internal inductance	L <sub>i</sub>	max. 70 μH ; a cable length of 10 m is considered.
Maximum permissible ambient temperature	T <sub>amb</sub>	Details of the correlation between the type of circuit connected, the maximum permissible ambient temperature, the temperature class, and the effective internal reactance values can be found on the EU-type examination certificate.
General information		
Use in the hazardous area		see instruction manuals
Category		2G

## Connection

