



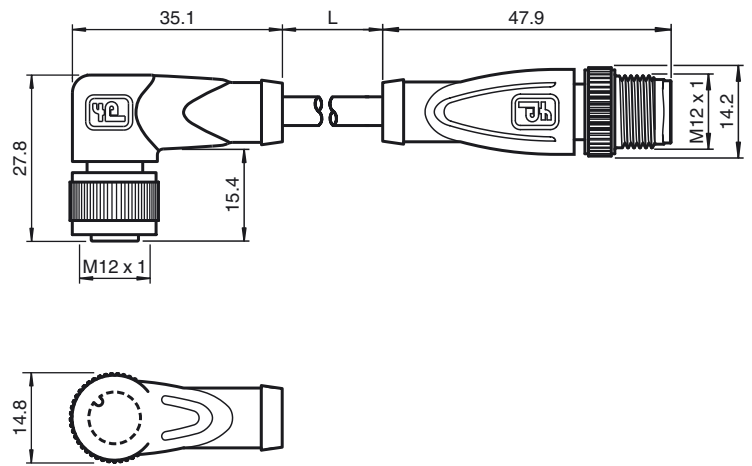
Model Number

V1-W-3M-PVC-V1-G
 Connecting cable, M12 to M12, PVC cable 4-pin

Features

- Knurled nut suitable for tool assembly
- Immunity to vibration, with mechanical latching
- Gold plated contacts
- Degree of protection IP67 / IP68 / IP69K

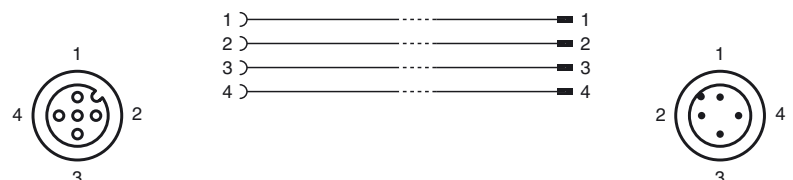
Dimensions



Technical data

General specifications		
Number of pins		4
Electrical specifications		
Operating voltage	U_B	max. 250 V AC/DC
Operating current	I_B	max. 4 A
Contact resistance		< 10 mΩ
Ambient conditions		
Ambient temperature		cable, fixed: -25 ... 70 °C (-13 ... 158 °F) cable, flexing: -5 ... -70 °C (23 ... -94 °F)
Pollution degree		3
Mechanical specifications		
Contact elements		spring-loaded contact socket
Pin diameter		1 mm
Degree of protection		IP67 / IP68 / IP69K
Material		
Contacts		CuSn / Au
Contact surface		Au
Body		TPU, black
Cable		PVC
Slotted nut		Diecast zinc
Sleeve connector		Diecast zinc
Core insulation		PVC
Cable		fine-strand, flexible
Sheath diameter		Ø 4.8 mm
Bending radius		> 10 x cable diameter, moving
Color		grey
Number of cores		4
Core cross-section		0.34 mm ²
Conductor construction		19 x 0.15 mm Ø
Length	L	3 m
Flammability		
Contact carrier		94 HB
Housing		94 V-2
Compliance with standards and directives		
Standard conformity		
Degree of protection		EN 60529:2000
Standards		IEC 61076-2-101:2008

Electrical connection



Release date: 2017-05-31 08:27 Date of issue: 2017-05-31 192042_eng.xml