



Model Number

NBN3-F31-E8-V16-V15

Features

- Direct mounting on standard actuators
- Fixed setting

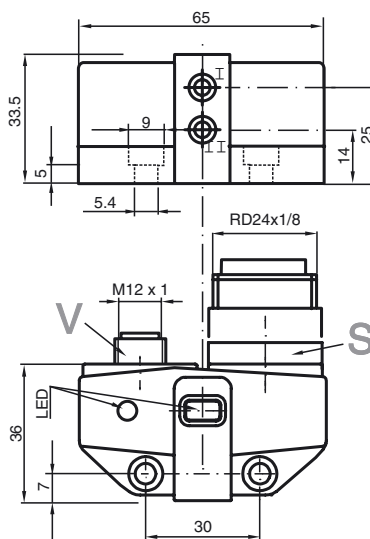
Accessories

- BT65A**
Activator for F31 series
- BT65X**
Activator for F31 series
- BT115A**
Activator for F31 series
- BT115X**
Activator for F31 series
- BT65B**
Activator for F31 series
- BT115B**
Activator for F31 series
- V16-G**
Female connector, dia. 24, 6-pin+PE, field attachable
- V16-W**
Female connector, dia. 24, 6-pin+PE, field attachable
- V15S-G**
Cable connector, M12, 5-pin, ready for assembly
- V15S-W**
Cable connector, M12, 5-pin, ready for assembly

Technical Data

General specifications	
Switching function	2 x normally open (NO)
Output type	PNP
Rated operating distance	s_n 3 mm
Installation	flush mountable
Output polarity	DC
Assured operating distance	s_a 0 ... 2.43 mm
Reduction factor r_{AI}	0.5
Reduction factor r_{304}	1
Reduction factor r_{St37}	1.2
Output type	3-wire
Nominal ratings	
Operating voltage	U_B 10 ... 30 V DC
Switching frequency	f 0 ... 500 Hz
Hysteresis	H typ. 5 %
Reverse polarity protection	all connections
Short-circuit protection	pulsing
Voltage drop	U_d \leq 3 V
Operating current	I_L 0 ... 100 mA
Off-state current	I_r 0 ... 0.5 mA typ. 0.1 μ A at 25 °C
No-load supply current	I_0 \leq 25 mA
Operating voltage indicator	LED, green
Switching state indicator	LED, yellow
Functional safety related parameters	
MTTF _d	780 a
Mission Time (T _M)	20 a
Diagnostic Coverage (DC)	0 %
Valve circuit	
Voltage	max. 32 V DC
Current	max. 240 mA
Short-circuit protection	no
Reverse polarity protection	yes, with reversed output LED is out of function, therefore more power for solenoid valve
Ambient conditions	
Ambient temperature	-25 ... 70 °C (-13 ... 158 °F)
Mechanical specifications	
Connection (system side)	Connector plug Rd 24 x 1/8 inch 6 pin+PE
Connection (valve side)	5-pin, M12 x 1 socket
Housing material	PBT
Sensing face	PBT
Degree of protection	IP67
Compliance with standards and directives	
Standard conformity	
Standards	EN 60947-5-2:2007 EN 60947-5-2/A1:2012 IEC 60947-5-2:2007 IEC 60947-5-2 AMD 1:2012
Approvals and certificates	
UL approval	cULus Listed, General Purpose
CSA approval	cCSAus Listed, General Purpose
CCC approval	CCC approval / marking not required for products rated \leq 36 V

Dimensions



Release date: 2020-01-08 11:00 Date of issue: 2020-01-08 192482_eng.xml

Electrical Connection

