



**Model Number**

**BT-F130-A**

Actuator for F130 series

**Features**

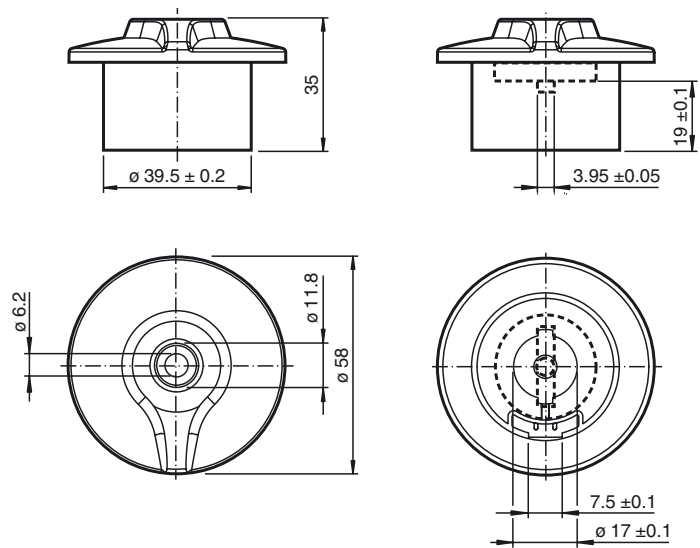
- Suitable for mounting on valve actuators for use in valve technology

**Technical data**

**Mechanical specifications**

Shaft diameter	< 27.5 mm
Shaft height	20 mm
<b>Material</b>	
Housing	Mounting component: PBT
Spacer disk	PP (1 unit, 5.5 mm strong)
Stopper cap	PBT (1 unit black)
Mounting screw	for activator: 1.4305 / AISI 303 (1 piece M6 x 25)
Mass	25 g

**Dimensions**



Release date: 2019-10-07 11:30 Date of issue: 2019-10-07 199856\_eng.xml

Refer to "General Notes Relating to Pepperl+Fuchs Product Information".

