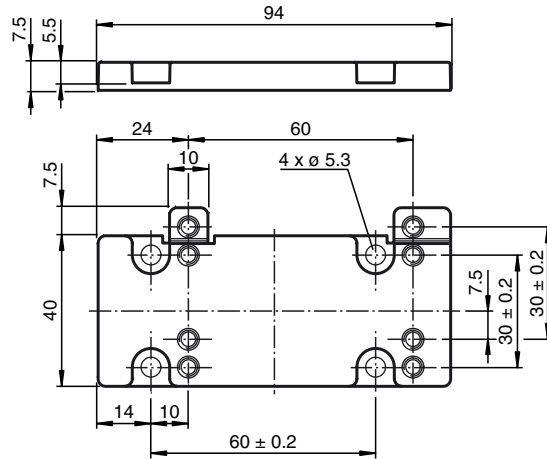




**Dimensions**



**Technical data**

**Ambient conditions**

Ambient temperature -25 ... 85 °C (-13 ... 185 °F)

**Mechanical specifications**

Housing material PA 6 Grivory GVN-35H

Material

Mounting screw 4 units, screw M5 X 20 DIN912 A2

**Approvals and certificates**

CCC approval CCC approval / marking not required for products rated ≤36 V

**Installation Note**

**Model Number**

**Adaptor plate new VariKont**

Adapter plate

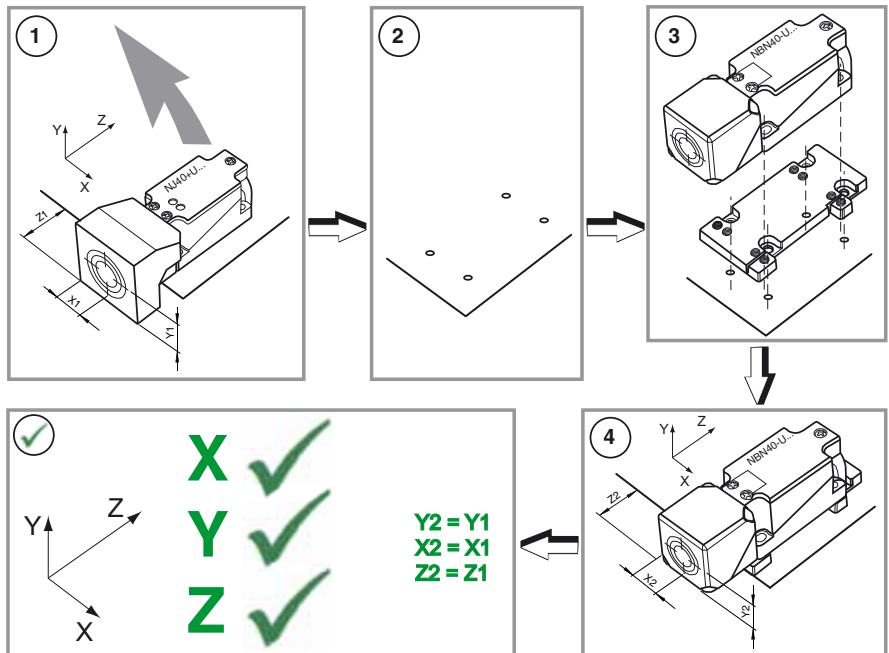
**Features**

- Simple and fast mounting
- Suitable for VariKont sensors

**Function**

When exchanging an NJ40+U... for an NBN40-U..., the detection range changes because of the different head dimensions. By using the adapter plate, all offset dimensions (side, height, and depth offset) are compensated for. Sensor mounting is performed laterally, offset to the center of the adapter plate on both notched tabs.

If insufficient space is available at the side in the area of the base, both notched tabs of the adapter plate can be broken off. During subsequent mounting of an NBN40-U... centered on the adapter plate, the height and depth offset (Y and Z) are compensated for – but not, however, the side offset X.



Release date: 2015-03-12 14:53 Date of issue: 2015-03-12 208375\_eng.xml