


ECOLAB

Model number

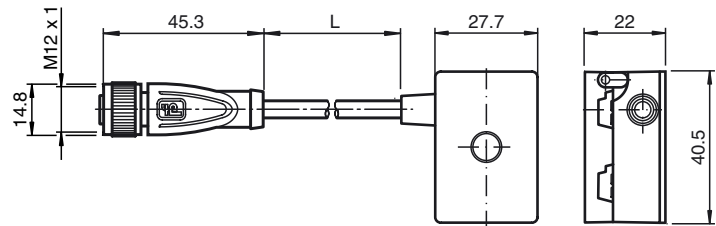
VAZ-T1-FK-G10-2M-PUR-V1-G

Splitter box G10, AS-Interface to 1x M12 round connector

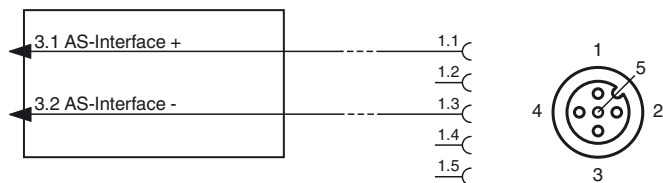
Features

- One piece housing
- Simple and fast mounting
- Gold-plated and machined contacts
- Oil and abrasion resistant PUR line appropriate for drag chains
- Immunity to vibration
- Degree of protection IP68 / IP69K
- Halogen-free

Dimensions



Electrical connection



Technical data

General specifications

Construction type	Socket, straight Flat cable terminal AS-Interface
UL File Number	E223772 "For use in NFPA 79 Applications only"

Electrical specifications

Rated operating voltage	U_e	≤ 32 V PELV (AS-Interface)
Rated operating current	I_e	≤ 3 A
Protection class		III
Current loading capacity		max. 4 A
Surge protection		overvoltage category III

Ambient conditions

Ambient temperature	-25 ... 75 °C (-13 ... 167 °F)
Storage temperature	-25 ... 85 °C (-13 ... 185 °F)
Pollution degree	3

Mechanical specifications

Degree of protection	IP67 IP67 / IP68 / IP69K with flat cable VAZ-FK-S-*	
Connection	Flat cable AS-Interface: cable piercing method Plug connection: M12 x 1 socket (V1)	
Material		
Contacts	CuSn / Au	
Housing	PBT PC	
Body	black PUR	
Cable	PUR	
Mounting screw	Stainless steel 1.4305 / AISI 303	
Cable		
Sheath diameter	Ø4,3 mm	
Color	black	
Cores	2 x 0.34 mm ²	
Length	L	2 m
Mass		100 g
Tightening torque, fastening screws		1.65 Nm
Note		The unused flat cable connector is closed with a seal.

Compliance with standards and directives

Standard conformity	
Degree of protection	EN 60529:2000

Approvals and certificates

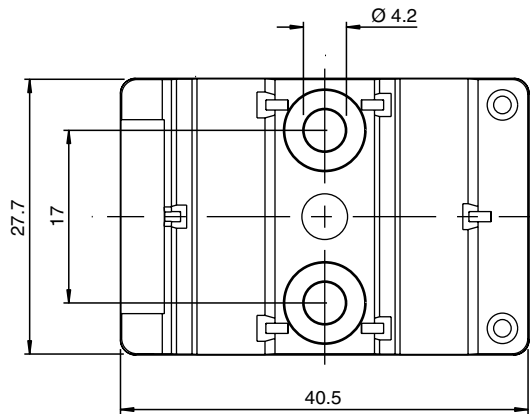
UL approval	cULus Listed, Type 1 enclosure
-------------	--------------------------------

Maximum permissible ambient temperature $\leq 55\text{ }^{\circ}\text{C}$ ($\leq 131\text{ }^{\circ}\text{F}$)

Notes

Mounting instructions

You may screw the device onto a level mounting surface using two M4 attachment screws. The attachment screws are not included.



Release date: 2016-11-16 13:22 Date of issue: 2016-11-16 216031_eng.xml