



Model Number

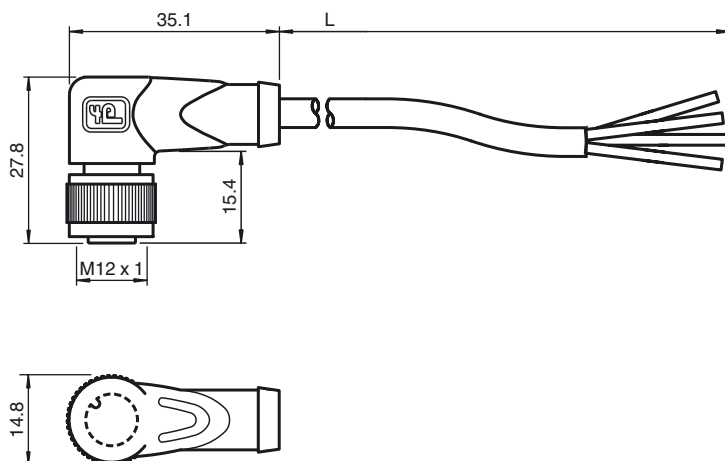
V1-W-A2-BK5M-PUR-U

Cable socket, M12, LED, 4-pin, PUR cable

Features

- UL Recognized Component
- Built-in LED, as operating and function indicator
- Knurled nut suitable for tool assembly
- Immunity to vibration, with mechanical latching
- Gold-plated and machined contacts
- Flame resistant cable
- Resistant to microbes and hydrolysis
- Halogen-free
- Does not give off silicone

Dimensions



Technical data

General specifications

| | |
|----------------|---------|
| Number of pins | 4 |
| UL File Number | E231213 |

Indicators/operating means

| | |
|------------|-------------------------------|
| LED green | Operating display |
| LED yellow | Functional display NO contact |

Electrical specifications

| | | |
|--------------------|-------|------------------------|
| Operating voltage | U_B | max. 24 V DC \pm 15% |
| Operating current | I_B | max. 4 A |
| Contact resistance | | < 10 m Ω |

Ambient conditions

| | |
|---------------------|---|
| Ambient temperature | -40 ... 90 °C (-40 ... 194 °F) cable, fixed: -40 ... 80 °C (-40 ... 176 °F) cable, flexing: -20 ... 80 °C (-4 ... 176 °F) |
| Pollution degree | 3 |

Mechanical specifications

| | | |
|------------------------|-------------------------------|-----|
| Contact elements | spring-loaded contact socket | |
| Pin diameter | 1 mm | |
| Degree of protection | IP67 / IP68 / IP69k | |
| Material | | |
| Contacts | CuSn / Au | |
| Contact surface | Au | |
| Body | TPU, transparent | |
| Cable | PUR | |
| Slotted nut | Diecast zinc | |
| Core insulation | PP | |
| Cable | extra-fine wire, flexible | |
| Sheath diameter | \varnothing 4.3 mm | |
| Bending radius | > 10 x cable diameter, moving | |
| Color | black | |
| Cores | 4 x 0.34 mm ² | |
| Conductor construction | 42 x 0.1 mm \varnothing | |
| Length | L | 5 m |
| Flammability | | |
| Contact carrier | 94 HB | |
| Housing | 94 V-2 | |

Compliance with standards and directives

| | |
|----------------------|----------------------|
| Standard conformity | |
| Degree of protection | EN 60529:2000 |
| Standards | IEC 61076-2-101:2008 |

Approvals and certificates

| | |
|-------------|--|
| UL approval | cURus AWM 20549 AWM I/II A/B 80°C 300V FT2 (cable) |
|-------------|--|

Electrical connection

