



Model Number

NJ1,5-F-N-Y217733

Features

- Comfort series
- 1.5 mm non-flush

Technical Data

General specifications

Switching function	Normally closed (NC)
Output type	NAMUR
Rated operating distance	s_n 1.5 mm
Installation	non-flush
Assured operating distance	s_a 0 ... 1.22 mm
Reduction factor r_{AI}	0.4
Reduction factor r_{Cu}	0.3
Reduction factor r_{304}	0.85
Output type	2-wire

Nominal ratings

Nominal voltage	U_o	8 V
Switching frequency	f	0 ... 5000 Hz
Hysteresis	H	typ. %
Current consumption		
Measuring plate not detected		≥ 3 mA
Measuring plate detected		≤ 1 mA

Ambient conditions

Ambient temperature	-25 ... 100 °C (-13 ... 212 °F)
---------------------	---------------------------------

Mechanical specifications

Connection type	flexible leads LIFYW, 110 mm
Core cross-section	0.06 mm ²
Housing material	PBT
Sensing face	PBT
Degree of protection	IP68

General information

Use in the hazardous area	see instruction manuals
Category	2G; 1D

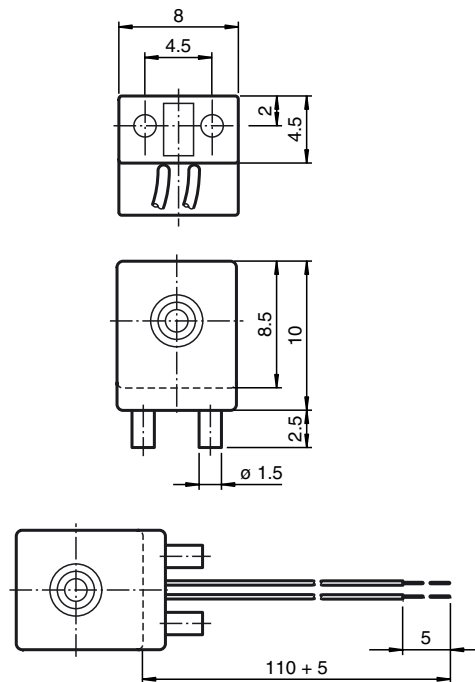
Compliance with standards and directives

Standard conformity	
NAMUR	EN 60947-5-6:2000 IEC 60947-5-6:1999
Standards	EN 60947-5-2:2007 IEC 60947-5-2:2007

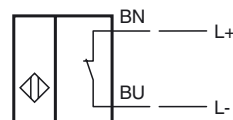
Approvals and certificates

FM approval	FM Class I, Div.1
UL approval	cULus Listed, General Purpose
CSA approval	cCSAus Listed, General Purpose


Dimensions




Electrical Connection



Equipment protection level Gb

CE marking	CE 0102	
ATEX marking	 II 2G Ex ia IIC T6...T1 Gb The Ex-related marking can also be printed on the enclosed label.	
Standards	EN 60079-0:2012+A11:2013, EN 60079-11:2012 Ignition protection "Intrinsic safety" Use is restricted to the following stated conditions	
Appropriate type	NJ 1,5-F-N...	
Effective internal capacitance	C_i	$\leq 30 \text{ nF}$; a cable length of 10 m is considered.
Effective internal inductance	L_i	$\leq 50 \text{ }\mu\text{H}$; a cable length of 10 m is considered.
Maximum permissible ambient temperature T_{amb}	Details of the correlation between the type of circuit connected, the maximum permissible ambient temperature, the temperature class, and the effective internal reactance values can be found on the EC-type examination certificate.	

Equipment protection level Da

CE marking	CE 0102	
ATEX marking	 II 1D Ex ia IIIC T135°C Da The Ex-related marking can also be printed on the enclosed label.	
Standards	EN 60079-0:2012+A11:2013 EN 60079-11:2012 Ignition protection "Intrinsic safety" Use is restricted to the following stated conditions	
Appropriate type	NJ 1,5-F-N...	
Effective internal capacitance	C_i	$\leq 30 \text{ nF}$; a cable length of 10 m is considered.
Effective internal inductance	L_i	$\leq 50 \text{ }\mu\text{H}$; a cable length of 10 m is considered.