



Model Number

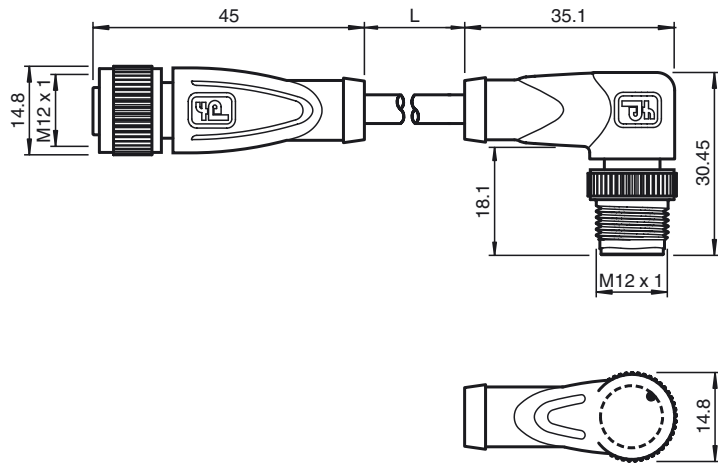
V1-G-OR1M-POC-V1-W

Cordset M12 socket to M12 plug A-coded, 4-pin, TPE cable welding-bead resistant orange

Features

- Resistant to welding bead formation
- Suitable for robotic applications / torsion resistant
- Does not give off silicone
- Ozone resistant
- Hydrolysis resistant
- Halogen-free
- Knurled nut suitable for tool assembly
- Immunity to vibration, with mechanical latching
- Gold plated contacts
- Degree of protection IP67 / IP68 / IP69

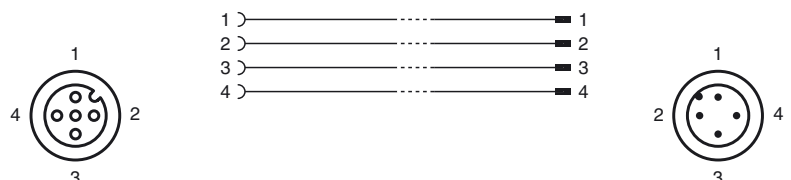
Dimensions



Technical data

General specifications		
Number of pins		4
Connection 1		socket
Construction type 1		straight
Threading 1		M12
Coding 1		A-coded
Connection 2		Male connector
Construction type 2		right angle
Threading 2		M12
Coding 2		A-coded
Electrical specifications		
Operating voltage	U_B	max. 250 V AC/DC
Operating current	I_B	max. 4 A
Ambient conditions		
Ambient temperature		Body: -40 ... 90 °C (-40 ... 194 °F) Cable, flexing: -15 ... 120 °C (5 ... 248 °F) for 20000 h -15 ... 150 °C (5 ... 302 °F) for 3000 h cable, fixed: -40 ... 120 °C (-40 ... 248 °F) for 20000 h -40 ... 150 °C (-40 ... 302 °F) for 3000 h
Pollution degree		3
Mechanical specifications		
Contact elements		spring-loaded contact socket
Degree of protection		IP67 / IP68 / IP69
Cable code		Li 7Y-41X 4 x 0.34
Material		
Contacts		CuZn
Contact surface		Au
Body		TPU, black
Cable		TPE resistant to welding bead formation
Slotted nut		Diecast zinc
Sleeve connector		Diecast zinc
Core insulation		ETFE
Cable		according to IEC/EN 60228 (DIN VDE 0295) class 5
Sheath diameter		4.8 mm
Bending radius		> 10 x cable diameter, moving > 10 x cable diameter, fixed
Color		orange
Number of cores		4
Core cross-section		0.34 mm ²
Cores color		Core 1: brown Core 2: white Core 3: blue Core 4: black

Electrical connection



Release date: 2020-02-21 13:12 Date of issue: 2020-02-21 221859_eng.xml

Refer to "General Notes Relating to Pepperl+Fuchs Product Information".

Conductor construction	19 x 0.16 mm Ø	
Length	L	1 m
Flammability		
Contact carrier	HB	
Housing	V-2	
Cable	flame-resistant	
Compliance with standards and directives		
Standard conformity		
Degree of protection	EN 60529	
Flammability	IEC 60332-1-2 Flame-retardant as per ISO 14572 and ISO 6722	
Halogen-free	IEC 60754-2	
Specification	connector M12 x 1 : IEC 61076-2-101	

Release date: 2020-02-21 13:12 Date of issue: 2020-02-21 22:1859_eng.xml

Refer to "General Notes Relating to Pepperl+Fuchs Product Information".