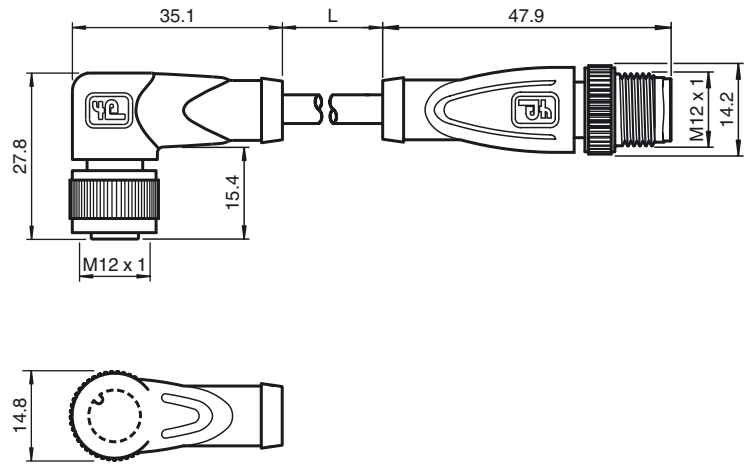




Dimensions



Model Number

V1-W-OR0,6M-POC-V1-G

Cordset M12 socket to M12 plug A-coded, 4-pin, TPE cable welding-bead resistant orange

Features

- Resistant to welding bead formation
- Suitable for robotic applications / torsion resistant
- Does not give off silicone
- Ozone resistant
- Hydrolysis resistant
- Halogen-free
- Knurled nut suitable for tool assembly
- Immunity to vibration, with mechanical latching
- Gold plated contacts
- Degree of protection IP67 / IP68 / IP69

Technical data

General specifications

Number of pins	4
Connection 1	socket
Construction type 1	right angle
Threading 1	M12
Coding 1	A-coded
Connection 2	Male connector
Construction type 2	straight
Threading 2	M12
Coding 2	A-coded

Electrical specifications

Operating voltage	U_B	max. 250 V AC/DC
Operating current	I_B	max. 4 A

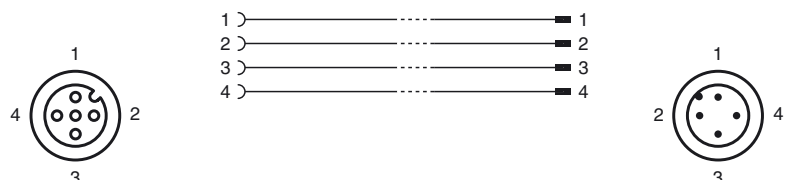
Ambient conditions

Ambient temperature	Body: -40 ... 90 °C (-40 ... 194 °F) Cable, flexing: -15 ... 120 °C (5 ... 248 °F) for 20000 h -15 ... 150 °C (5 ... 302 °F) for 3000 h cable, fixed: -40 ... 120 °C (-40 ... 248 °F) for 20000 h -40 ... 150 °C (-40 ... 302 °F) for 3000 h
Pollution degree	3

Mechanical specifications

Contact elements	spring-loaded contact socket
Degree of protection	IP67 / IP68 / IP69
Cable code	Li 7Y-41X 4 x 0.34
Material	
Contacts	CuZn
Contact surface	Au
Body	TPU, black
Cable	TPE resistant to welding bead formation
Slotted nut	Diecast zinc
Sleeve connector	Diecast zinc
Core insulation	ETFE
Cable	according to IEC/EN 60228 (DIN VDE 0295) class 5
Sheath diameter	4.8 mm
Bending radius	> 10 x cable diameter, moving > 10 x cable diameter, fixed
Color	orange
Number of cores	4
Core cross-section	0.34 mm ²
Cores color	Core 1: brown Core 2: white Core 3: blue Core 4: black

Electrical connection



Release date: 2020-03-04 13:41 Date of issue: 2020-03-04 233474_eng.xml

Refer to "General Notes Relating to Pepperl+Fuchs Product Information".

Conductor construction	19 x 0.16 mm Ø
Length	L 0.6 m
Flammability	
Contact carrier	HB
Housing	V-2
Cable	flame-resistant
Compliance with standards and directives	
Standard conformity	
Degree of protection	EN 60529
Flammability	IEC 60332-1-2 Flame-retardant as per ISO 14572 and ISO 6722
Halogen-free	IEC 60754-2
Specification	connector M12 x 1 : IEC 61076-2-101

Release date: 2020-03-04 13:41 Date of issue: 2020-03-04 233474_eng.xml