



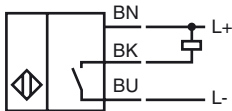
Model Number

NBN4-F29C-E0-Y237367

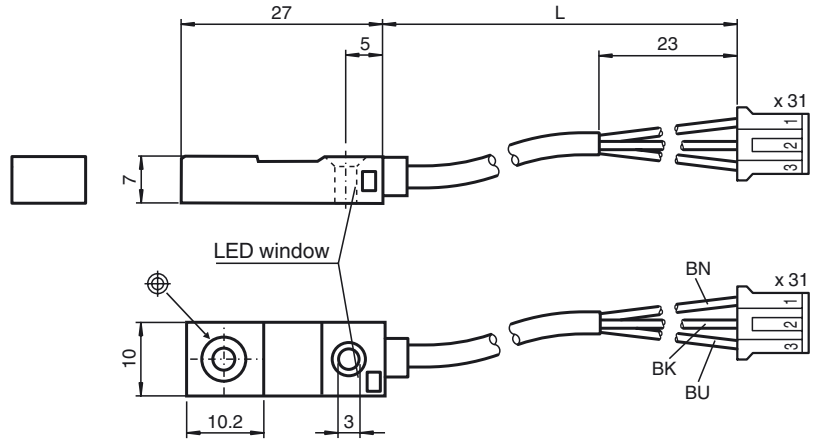
Features

- Basic series
- 4 mm not embeddable

Connection



Dimensions



Technical Data

General specifications

Switching element function		NPN	NO
Rated operating distance	s_n	4 mm	
Installation		not embeddable	
Output polarity		DC	
Assured operating distance	s_a	0 ... 3.24 mm	
Reduction factor r_{AI}		0.4	
Reduction factor r_{Cu}		0.3	
Reduction factor r_{303}		0.7	

Nominal ratings

Operating voltage	U_B	10 ... 30 V
Switching frequency	f	0 ... 1000 Hz
Reverse polarity protected		reverse polarity protected
Short-circuit protection		no
Voltage drop	U_d	≤ 3 V
Operating current	I_L	0 ... 100 mA
Off-state current	I_r	0 ... 0.5 mA typ. 0.1 μ A at 25 °C
No-load supply current	I_0	≤ 10 mA
Indication of the switching state		LED, yellow

Standard conformity

Standards	IEC / EN 60947-5-2:2004
-----------	-------------------------

Ambient conditions

Ambient temperature	-25 ... 70 °C (-13 ... 158 °F)
---------------------	--------------------------------

Mechanical specifications

Connection type	cable , L = 100 mm
Connection assembly	JST-Contact: SPH-002T-P0.5S JST housing: PHR-3
Core cross-section	0.14 mm ²
Housing material	PPS
Sensing face	PPS
Protection degree	IP67

Release date: 2011-05-04 22:05 Date of issue: 2011-05-16 237367_ENG.xml