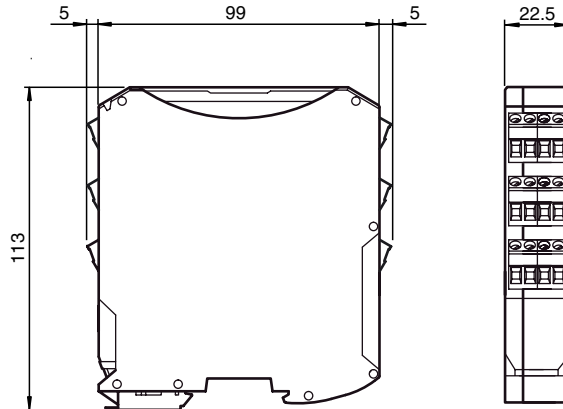




Dimensions



Electrical connection

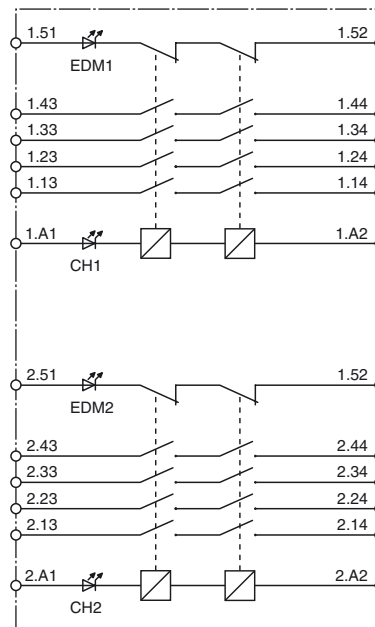
Model number

VAZ-2E8A-KE4-Z/R-S

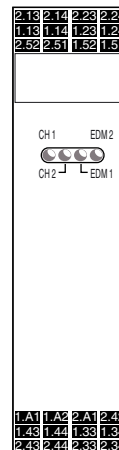
Safe contact expansion, 2 channels, 8 contact sets

Features

- Up to 6 A startup current
- 20 ms switch-off time



Indicating / Operating means



Release date: 2019-08-23 12:40 Date of issue: 2019-08-23 255794_eng.xml

Refer to "General Notes Relating to Pepperl+Fuchs Product Information".

Pepperl+Fuchs Group
www.pepperl-fuchs.com

USA: +1 330 486 0001
fa-info@us.pepperl-fuchs.com

Germany: +49 621 776 4411
fa-info@de.pepperl-fuchs.com

Singapore: +65 6779 9091
fa-info@sg.pepperl-fuchs.com

Technical data**General specifications**

Description	Safe contacts, instantaneous 4 contact sets per channel (contacts are one-way guided)
-------------	--

Functional safety related parameters

Category	Cat. 4
Mission Time (T_M)	20 a
B_{10d}	1.96 E+6

Indicators/operating means

LEDs 1, 2, 3, 4	LEDs yellow CH1, CH2: contact 1 and 2 closed EDM1, EDM2: feedback circuit 1 and 2 closed
-----------------	--

Electrical specifications

Rated operating current	I_e	80 mA per channel
Surge protection		overvoltage category III

Input

Pulse length	max. 1.5 ms (permissible test pulse time)
Signal level	0-signal: < 2.4 V DC 1-signal: 18 ... 26.5 V

Output

Short-circuit protection/overload	3 A quick; 2 A slow
Switching current	max. 6 A for 20 ms
Current	Total current per channel 12 A
Response delay	Response delay: < 20 ms
Switching frequency	f 15 Hz
Relay	
Switching voltage	10 V ... 230 V
Switching current	5 mA ... 3 A
Mechanical life	approx. 10×10^6 switching cycles
Electrical life	AC1 (360 S/h), approx. 100×10^3 switching cycles
Contact loading	Feedback loop: max. 20 mA

Ambient conditions

Ambient temperature	0 ... 55 °C (32 ... 131 °F)
Storage temperature	-25 ... 85 °C (-13 ... 185 °F)
Relative humidity	non-condensing
Pollution degree	2

Mechanical specifications

Degree of protection	IP20
Connection	removable terminals rated connection capacity: rigid/flexible (with and without wire-end ferrules): 0.25 mm ² ... 2.5 mm ² for multiple-wire connection with two wires of equal cross-section: flexible with twin wire-end ferrules: 0.5 mm ² ... 1.5 mm ²
Material	
Housing	PA 66-FR
Mass	270 g
Mounting	DIN mounting rail

Compliance with standards and directives

Directive conformity	
Low Voltage Directive 2006/95/EC	EN 60947-1:2007/A1:2011 EN 60947-5-1:2004/AC:2005
EMC Directive 2004/108/EC	EN 61000-6-2:2005/AC:2005 EN 61000-6-3:2007/A1:2011
Standard conformity	
Electromagnetic compatibility	EN 61000-6-2:2005, EN 61000-6-4:2001
Degree of protection	EN 60529:2000
Electrical safety	EN 60947-1:2007 EN 60947-5-1:2005