



**Model number**

WCS3B-LS610

**Features**

- PROFINET interface
- Non-contact, absolute position encoder
- Automatic detection of dirt accumulation
- Output of position and speed

**Accessories**

**V19SY-G-BK5M-PUR-ABG**  
Male single-ended cordset, M12, 8-pin, Y encryption, PUR cable, shielded

**V19SY-G-BK2M-PUR-ABG**  
Male single-ended cordset, M12, 8-pin, Y encryption, PUR cable, shielded

**WCS3B-PL2**  
Transparent protective case and seal for WCS3B reader

**WCS-MP1**  
Mounting plate for reading heads WCS2 and WCS3

**V19SY-G-BK10M-PUR-ABG**  
Male single-ended cordset, M12, 8-pin, Y encryption, PUR cable, shielded

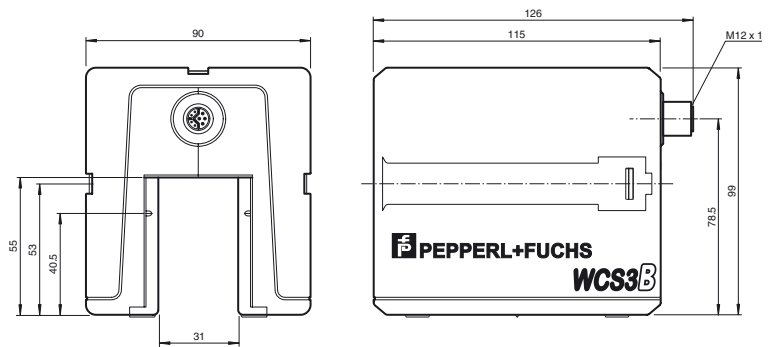
**V45-G**  
Field-attachable male connector

**V45-GP**  
Field-attachable "Push-Pull" connector

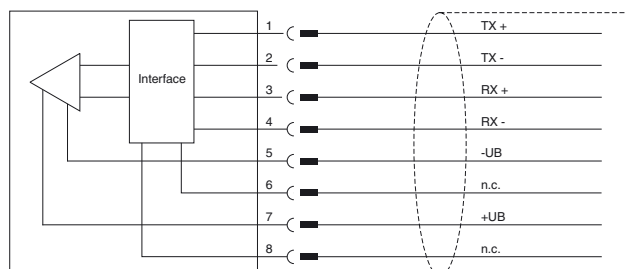
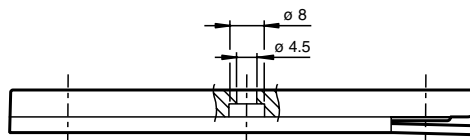
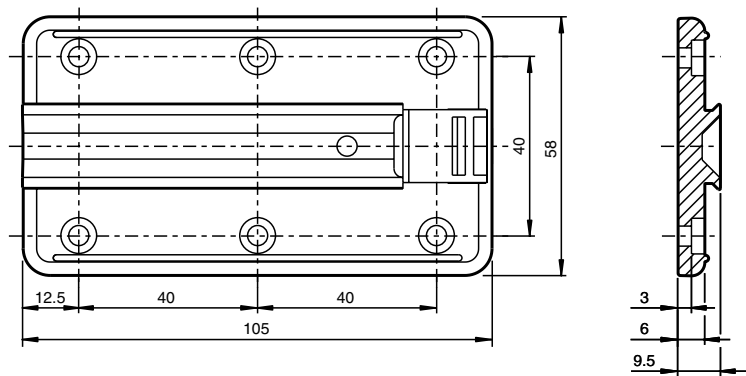
**V15S-W-ABG-PG9**  
Cable connector, M12, 5-pin, shielded, non pre-wired

**V15S-G-ABG-PG9**  
Cable connector, M12, 5-pin, shielded, non pre-wired

**Dimensions**



**Mounting plate**



**Technical data**

| General specifications       |   |  |
|------------------------------|---|--|
| Passage speed                | v | ≤ 12.5 m/s   |
| Measuring range              |   | max. 314.5 m   |
| Free tolerances to code rail |   | horizontal: 31 mm ( ± 15.5 mm )<br>vertical: 28 mm ( ± 14 mm ) |
| Resolution                   |   | ± 0.4 mm (1,250 positions/m)                                   |

Release date: 2019-08-12 15:51 Date of issue: 2019-08-12 262007\_eng.xml

Refer to "General Notes Relating to Pepperl+Fuchs Product Information".

| Functional safety related parameters |   |   |
|--------------------------------------|---|---|
| MTTF <sub>d</sub>                    |   | 181 a   |
| Mission Time (T <sub>M</sub> )       |   | 20 a  |
| Diagnostic Coverage (DC)             |   | 0 %   |
| Indicators/operating means           |   |   |
| LED green                            | PROFINET link<br>To: PROFINET connection OK   |   |
| LED yellow                           | PROFINET RX/TX<br>Flashing: data transfer   |   |
| LED red                              | PROFINET communication<br>To: communication error   |   |
| LED red/green                        | Status indication<br>Green: code rail detected, normal function<br>Red: system error<br>Flashing red: no code rail detected |   |
| Electrical specifications            |   |   |
| Operating voltage                    | U <sub>B</sub>  | 10 ... 30 V DC                                  |
| Power consumption                    | P <sub>0</sub>  | 6 W   |
| Interface                            |   |   |
| Interface type                       |   | 100 BASE-TX                                     |
| Data output code                     |   | binary code                                     |
| Protocol                             |   | PROFINET IO Real-Time (RT) Conformance class B  |
| Transfer rate                        |   | 100 MBit/s                                      |
| Standard conformity                  |   |   |
| Emitted interference                 |   | EN 61000-6-4:2007+A1:2011                       |
| Noise immunity                       |   | EN 61000-6-2:2005                               |
| Shock resistance                     |   | EN 60068-2-27:2009                              |
| Vibration resistance                 |   | EN 60068-2-6:2008                               |
| Ambient conditions                   |   |   |
| Operating temperature                |   | 0 ... 60 °C (32 ... 140 °F)                     |
| Storage temperature                  |   | -40 ... 85 °C (-40 ... 185 °F)                  |
| Relative humidity                    |   | 90 % , noncondensing                            |
| Mechanical specifications            |   |   |
| Connection type                      |   | 8-pin, M12 x 1 connector socket, Y-coded        |
| Cable gland                          |   | Max. tightening torque of the cap nut: ≤ 0.4 Nm |
| Degree of protection                 |   | IP54  |
| Material                             |   |   |
| Housing                              |   | ABS , PC (Polycarbonate)                        |
| Mass                                 |   | 500 g   |
| General information                  |   |   |
| Ordering information                 |   | Mounting plate included with delivery           |