



Model Number

BRB60N-10S

Bearing box for offshore applications, shaft Ø12x20 with flat area, max. rotational speed 6000 min⁻¹

Features

- High corrosion resistance
- Compact and stable housing
- High shaft load capacity
- Long service life due to minimal heat, even at high rotational speeds
- Low starting torque, even at low temperatures

Description

The bearing unit is particularly suited for applications where high rotational speeds and large shaft loads can occur. Here the shaft loads are fully taken up by the bearing unit and kept away from the rotary encoder. Ball bearing grease with specially adjusted additivation increases the service life in the event of vibrations, and ensures good distribution of the grease and oil separation. This results in low frictional resistance and self-heating. The bearing unit is suitable for rotary encoders with Ø12 mm x 20 mm recessed hollow shaft and torque rest, e.g., rotary encoders from the RSI58 or ASM58 series.

Technical data

Standard conformity

Degree of protection	DIN EN 60529, IP65 , IP66
Climatic testing	
Static climatic testing	DIN EN 60068-2-78 , no moisture condensation
Cyclic climatic testing	DIN EN 60068-2-30 55 °C, 6 cycles
Salt spray test	DIN EN 60068-2-52 , 672 h
Shock resistance	DIN EN 60068-2-27, 100 g, 3 ms
Vibration resistance	DIN EN 60068-2-6, 10 g, 10 ... 2000 Hz

Ambient conditions

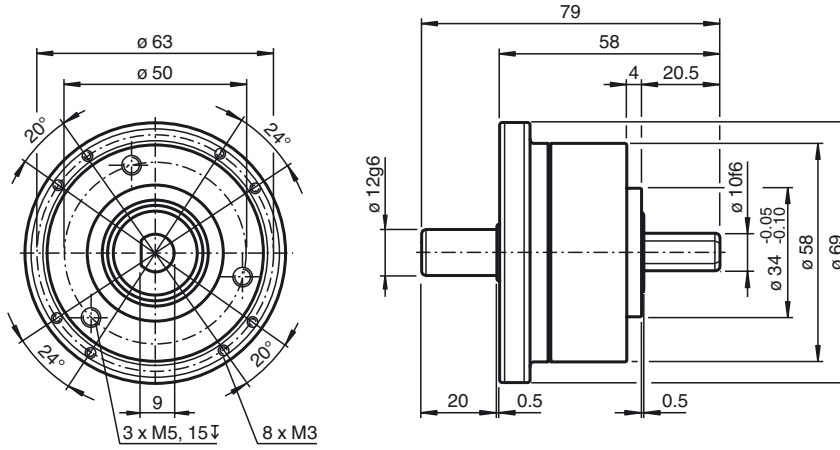
Operating temperature	-40 ... 85 °C (-40 ... 185 °F)
Storage temperature	-40 ... 95 °C (-40 ... 203 °F)

Mechanical specifications

Shaft dimensions Ø x l	10 x 20 mm with flat area 1 mm
Material	
Housing	aluminum, coated, salt water resistant
Flange	aluminum, coated, salt water resistant
Shaft	stainless steel 1.4404 / AISI 316L
Mass	approx. 425 g
Rotational speed	max. 6000 min ⁻¹
Starting torque	≤ 10 Ncm
Shaft load	
Axial	200 N
Radial	350 N
Life span	3 x 10 ⁹ @ 3000 min ⁻¹

Release date: 2019-01-30 08:34 Date of issue: 2019-01-30 262406_eng.xml

Dimensions



Release date: 2019-01-30 08:34 Date of issue: 2019-01-30 262406_eng.xml