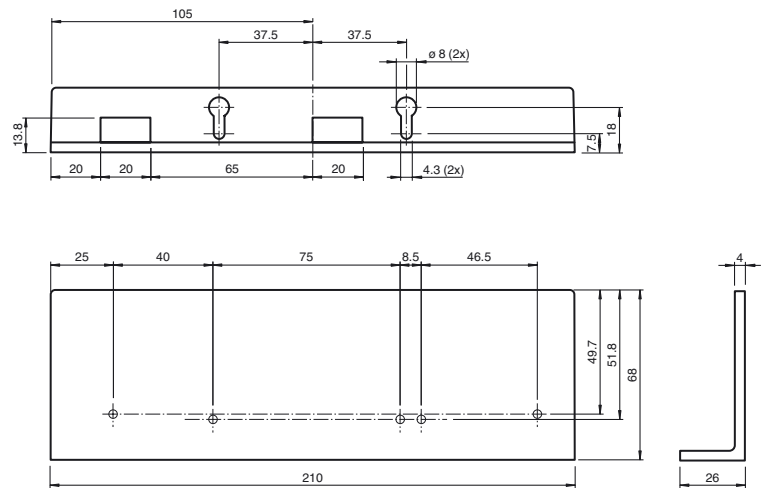




## Dimensions



### Model Number

**MotionScan Mount. Bracket**

Mounting bracket

### Features

- Mounting bracket
- Simple and fast mounting

## Technical data

### Mechanical specifications

Material	PC
Mass	55 g
Dimensions	(W x H x D) 210 mm x 68 mm x 26 mm

### Suitable series

Series	MotionScan
--------	------------