



EMERG. STOP SWITCH 3-POLE IU=63,
P/AC-23A AT 400V=22KW 1NO+1NC,
1 N-TERMINAL INSULATION-ENCLOSED,
IP65 ROTARY ACTUATOR RED/YELLOW (EMERG. STOP)
METRIC SCREW CONNECTION

Similar to image

General technical details:

product brand name		SETRON
product designation		main and EMERGENCY-OFF switches
Type from device		fixed mounting
Design of the operating mechanism		rotary actuator, red/yellow
Protection class IP		IP65
Number of poles		3
Acceptability for application		
• switch disconnecter		Yes
• main switch		Yes
• safety cut-out switch		Yes
• emergency stop switch		Yes
• maintenance/repair switch		Yes
Product equipment / interlock		Yes
Type of the driving mechanism / motor drive		No
Product extension / optional		
• motor drive		No
• voltage trigger		No
Ambient temperature / during operating	°C	-25 ... +55

Insulation voltage / rated value	V	690
Impulse voltage resistance / rated value	V	6,000
Active power loss / per conductor / typical	W	4.5
Mechanical operating cycles as operating time / of the main contacts / typical		100,000
Protection against electrical shock		finger-safe
Item designation / according to DIN EN 61346-2		S
Item designation / according to DIN 40719 extendable after IEC 204-2 / according to IEC 750		S

Main circuit:

Continuous current / rated value	A	63
Operating current / at AC-21 / rated value	A	63
Short-time current resistance (I _{cw}) / at 690 V / limited to 1 s / rated value	A	1,260
Operating frequency	Hz	50 ... 60
Operating voltage / at 50/60 Hz / for AC / rated value	V	690
Service power / at AC-3		
• at 400 V / rated value	kW	18.5
• at 690 V / rated value	kW	15
Service power / at AC-23 A		
• at 400 V / rated value	kW	22
• at 690 V / rated value	kW	18.5
Operating cycles / maximum	1/h	50

Auxiliary circuit:

Number of NC contacts / for auxiliary contacts		1
Number of NO contacts / for auxiliary contacts		1
Number of change-over switches / for auxiliary contacts		0
Continuous current / of the auxiliary contact / rated value	A	10
Operating voltage / of the auxiliary contacts / for AC / maximum	V	500
Insulation voltage / of the auxiliary switch / rated value	V	500

Short-circuit:

Design of the fuse link / for short-circuit protection of the main circuit / necessary		fuse gL/gG: 63 A
Design of the fuse link / for short-circuit protection of the auxiliary switch / required		fuse gL/gG: 10 A

Installation/mounting/dimensions:

Type of mounting		floor mounting
• front mounting		No
• front mounting with central fixation		No

• front mounting with 4-hole fixation		No
• series installation		No
• Rail installation		No
Width	mm	146
Height	mm	199
Depth	mm	149

Connection type:

Design of the electrical connection / for main current circuit		connection terminals
Design of the electrical connection / for auxiliary contact		connection terminals
Type of the connectable conductor cross-section / for main contacts • finely stranded / with conductor end processing		16 mm ²
Type of connectable conductor cross section / for auxiliary contacts • solid • finely stranded / with conductor end processing • stranded		2x (0.75 to 2.5 mm ²), 1x 4 mm ² 2x (0.75 ... 1.5 mm ²), 1x 2.5 mm ² 2x (0.75 ... 2.5 mm ²), 1x 4 mm ²

Certificates/approvals:

Verification of suitability		CSA / UL / CCC / GL / LRS / DNV / PRS
Conductor cross section that can be connected / for main contacts / solid / minimum	mm ²	2.5
Conductor cross section that can be connected / for main contacts / solid / maximum	mm ²	35
Conductor cross section that can be connected / for main contacts / stranded / minimum	mm ²	2.5
Conductor cross section that can be connected / for main contacts / stranded / maximum	mm ²	35
Conductor cross-section that can be connected / for main contacts / stranded wire / with conductor end processing / maximum	mm ²	16
Conductor cross-section that can be connected / for auxiliary contact / solid / minimum	mm ²	0.75
Conductor cross-section that can be connected / for auxiliary contact / solid / maximum	mm ²	4
Conductor cross-section that can be connected / for auxiliary contact / finely stranded / with conductor end processing / minimum	mm ²	0.75
Conductor cross-section that can be connected / for auxiliary contact / finely stranded / with conductor end processing / maximum	mm ²	2.5
Conductor cross section that can be connected / for auxiliary contacts / stranded / min.	mm ²	0.75
Conductor cross section that can be connected / for auxiliary contacts / stranded / max.	mm ²	4

Certificates/approvals:

General Product Approval



CCC



CSA



GOST



UL

Test Certificates

[Special Test Certificate](#)

Shipping Approval



GL



LRS

other

[Declaration of Conformity](#)

[Environmental Confirmations](#)

Further information:

Information- and Downloadcenter (Catalogs, Brochures,...)

<http://www.siemens.com/lowvoltage/catalogs>

Industry Mall (Online ordering system)

<http://www.siemens.com/lowvoltage/mall>

Service&Support (Manuals, Certificates, Characteristics, FAQs,...)

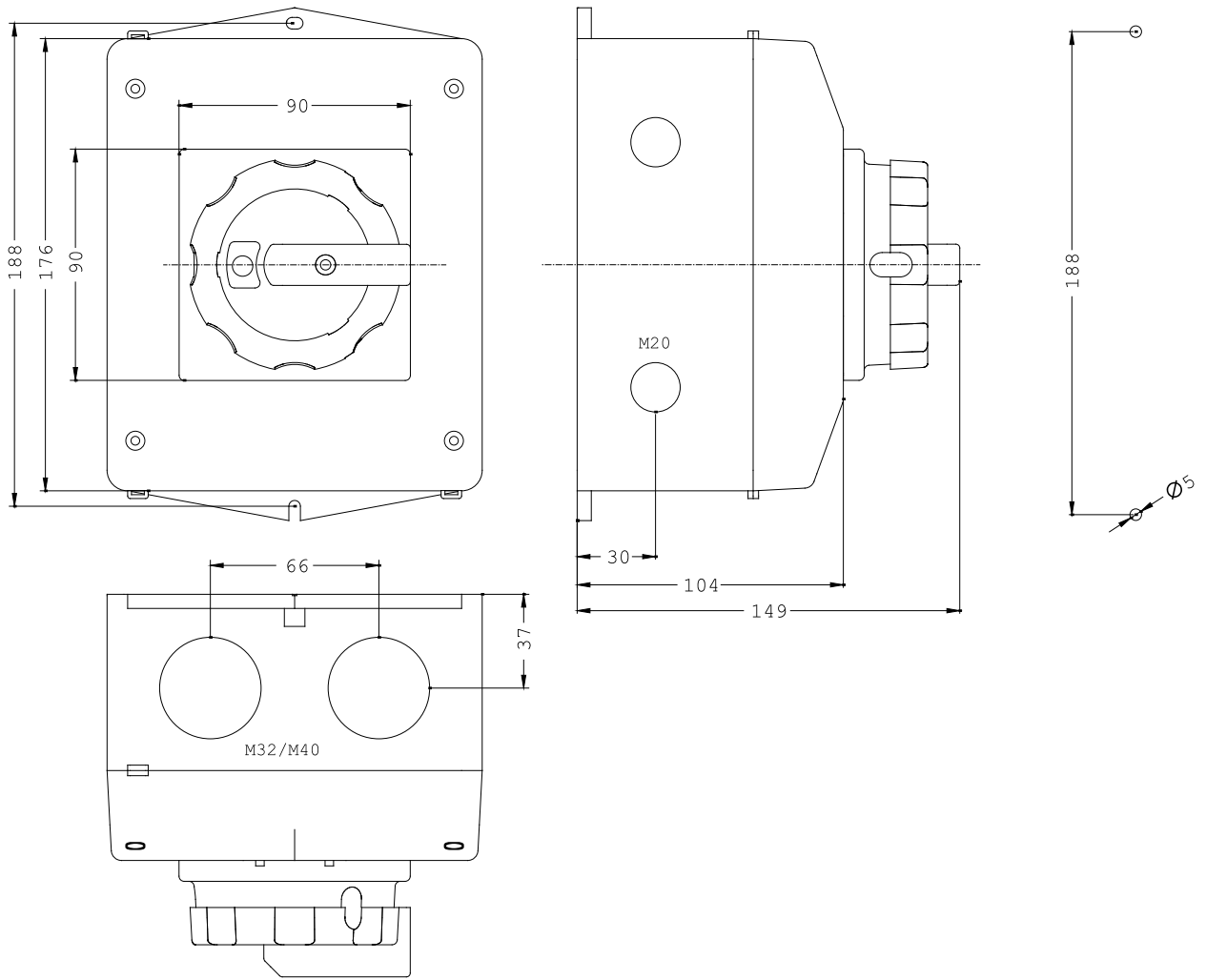
<http://support.automation.siemens.com/WWW/view/en/3LD2565-1GP53/all>

Image database (product images, 2D dimension drawings, 3D models, device circuit diagrams, ...)

http://www.automation.siemens.com/bilddb/cax_en.aspx?mlfb=3LD2565-1GP53

CAX-Online-Generator

<http://www.siemens.com/cax>



last change:

Nov 1, 2012