



**Model Number**

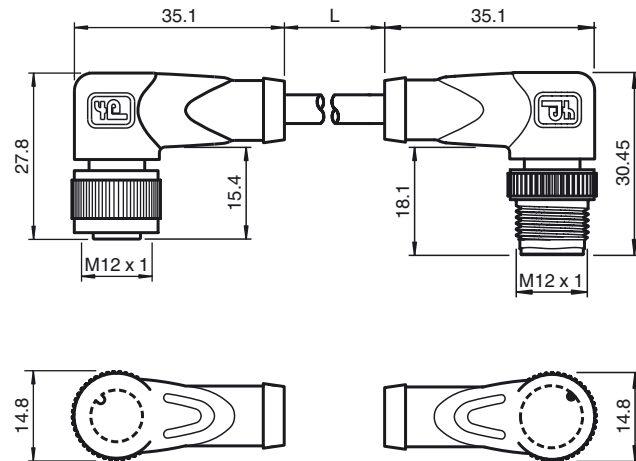
V1-W-0,1M-PUR-V1-W

Cordset, M12 to M12, PUR

**Features**

- Knurled nut suitable for tool assembly
- Immunity to vibration, with mechanical latching
- Gold plated contacts
- Degree of protection IP67 / IP68 / IP69

**Dimensions**



**Technical data**

**General specifications**

Number of pins 4

**Electrical specifications**

Operating voltage  $U_B$  max. 250 V AC/DC  
 Volume resistance < 5 mΩ

**Ambient conditions**

Ambient temperature Body: -40 ... 90 °C (-40 ... 194 °F)  
 cable, fixed: -40 ... 80 °C (-40 ... 176 °F)  
 cable, flexing: -25 ... 80 °C (-13 ... 176 °F)

Pollution degree 3

**Mechanical specifications**

Contact elements spring-loaded contact socket

Pin diameter 1 mm

Degree of protection IP67 / IP68 / IP69

**Material**

Contacts CuSn / Au

Contact surface Au

Body TPU, black

Cable PUR

Slotted nut Diecast zinc

Sleeve connector Diecast zinc

Core insulation PP

Cable fine-strand, flexible

Sheath diameter Ø 4.8 mm

Bending radius > 10 x cable diameter, moving  
 > 8 x cable diameter, fixed

Color grey

Cores 4 x 0.34 mm<sup>2</sup>

Conductor construction 19 x 0.15 mm Ø

Length L 0.13 m

**Flammability**

Contact carrier HB

Housing V-2

**Compliance with standards and directives**

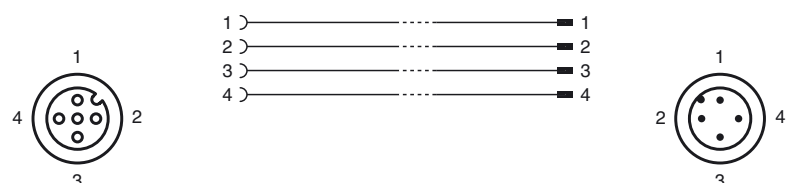
**Standard conformity**

Degree of protection EN 60529:2000

Standards IEC 61076-2-101:2008

Flammability Grip: UL 94

**Electrical connection**



Release date: 2017-06-21 09:30 Date of issue: 2017-06-22 305872\_eng.xml