

# RFID Transponder

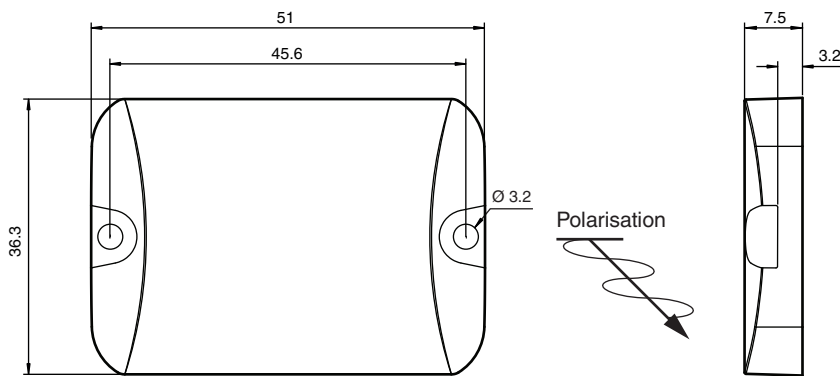
## IUC76-F157-T19-M-FR2



- Operating frequency 902 ... 928 MHz
- Complies with EPC Gen2 (ISO/IEC 18000-63)
- Sturdy housing, suitable for rough industrial use
- Optimized for mounting on metal
- For autoclave applications

Data carrier for autoclave applications

### Dimensions



### Technical Data

General specifications	
Operating frequency	902 ... 928 MHz
Polarization	linear
Memory	
Chip Type	Higgs-3 (Alien)
Memory Bank 00 (Reserved)	64 Bit
Memory Bank 01 (EPC/UII)	96 ... 480 Bit
Memory Bank 10 (TID)	64 Bit
Memory Bank 11 (User memory)	512 Bit
Read cycles	unlimited
Write cycles	100000
Data retention period	50 years @ 77 °C (170.6 °F)
Standard conformity	
Degree of protection	EN 60529
RFID	ISO/IEC 18000-63
Ambient conditions	

Release date: 2020-03-26 Date of issue: 2020-03-27 Filename: 309733\_eng.pdf

Refer to "General Notes Relating to Pepperl+Fuchs Product Information".

**Technical Data**

Ambient temperature	-40 ... 85 °C (-40 ... 185 °F)
Storage temperature	-40 ... 150 °C (-40 ... 302 °F)
<b>Mechanical specifications</b>	
Degree of protection	IP69K
Material	
Housing	PA 6
Installation	
On metal	yes
Mass	28 g
Construction type	Rectangular type

## Safety Information

High temperatures will cause the housing to expand.

If the housing is assembled under mechanical stress, the resulting pressure may damage the tag.

Install the tag loosely to allow for expansion due to high temperatures.

Release date: 2020-03-26 Date of issue: 2020-03-27 Filename: 309733\_eng.pdf

Refer to "General Notes Relating to Pepperl+Fuchs Product Information".

Pepperl+Fuchs Group  
www.pepperl-fuchs.com

USA: +1 330 486 0001  
fa-info@us.pepperl-fuchs.com

Germany: +49 621 776 1111  
fa-info@de.pepperl-fuchs.com

Singapore: +65 6779 9091  
fa-info@sg.pepperl-fuchs.com

 **PEPPERL+FUCHS**