



### Model Number

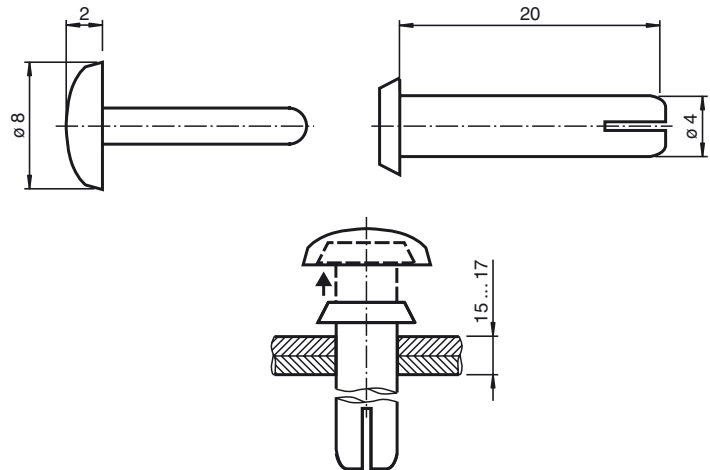
**OMH-R20x-Quick-Mount**

Quick mounting accessory

### Features

- Mounting clamp
- Simple and fast mounting

### Dimensions



### Technical data

#### Mechanical specifications

Material	plastic
Mass	approx. 0.5 g

#### Suitable series

Series	R200 R201
--------	-----------