



Model Number

CPZ18RAO

Right-Angle Adapter

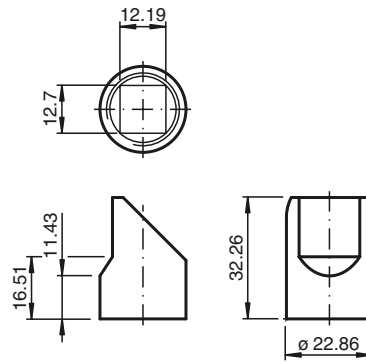
Features

- Screw on right-angle adapter
- For diffused mode

90° deviation mirror for series CP18 sensors

open version for diffuse sensor

Dimensions



Technical data

Mechanical specifications

Material	plastic
----------	---------

Suitable series

Series	CP18
--------	------