



**Model Number**

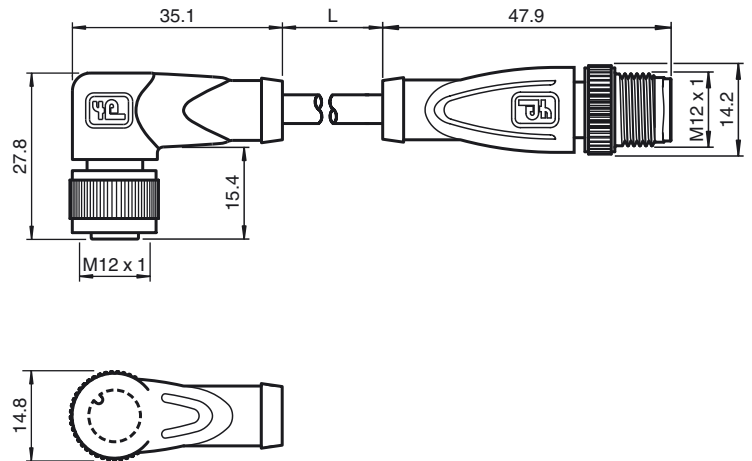
**V1-W-YE2M-PVC-U-V1-G**

Connecting cable, M12 to M12, PVC cable 4-pin

**Features**

- UL Recognized Component
- Knurled nut suitable for tool assembly
- Immunity to vibration, with mechanical latching
- Gold-plated and machined contacts
- Degree of protection IP67 / IP68 / IP69K

**Dimensions**



**Technical data**

**General specifications**

Number of pins	4
UL File Number	E231213

**Electrical specifications**

Operating voltage	$U_B$	max. 250 V AC/DC
Operating current	$I_B$	max. 4 A
Contact resistance		< 10 mΩ

**Ambient conditions**

Ambient temperature	Body: -40 ... 90 °C (-40 ... 194 °F) cable, flexing: -25 ... 80 °C (-13 ... 176 °F) cable, fixed: -5 ... 80 °C (23 ... 176 °F)
---------------------	--

Pollution degree	3
------------------	---

**Mechanical specifications**

Contact elements	spring-loaded contact socket
Pin diameter	1 mm
Degree of protection	IP67 / IP68 / IP69k

**Material**

Contacts	CuSn / Au
Contact surface	Au
Body	TPU, black
Cable	PVC
Slotted nut	Diecast zinc
Sleeve connector	Diecast zinc
Core insulation	PVC
Cable	fine-strand, flexible
Sheath diameter	Ø 4.3 mm
Bending radius	> 15 x cable diameter, moving > 5 x cable diameter, fixed

Color	yellow
Cores	4 x 0.34 mm <sup>2</sup>
Conductor construction	19 x 0.15 mm Ø
Length	L 2 m

**Flammability**

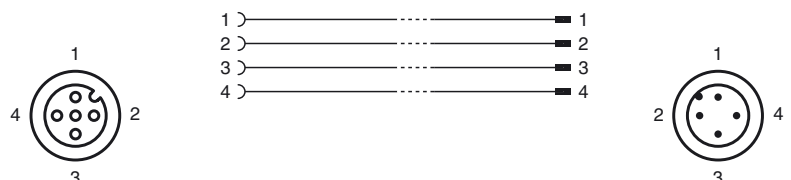
Contact carrier	94 HB
Housing	94 V-2
Cable	FT1

**Compliance with standards and directives**

<b>Standard conformity</b>	
Degree of protection	EN 60529:2000
Standards	IEC 61076-2-101:2008
<b>Flammability</b>	
	Body: UL 94 Line: UL 1581 Section 1061; IEC 60332-1-2:2004

**Approvals and certificates**

**Electrical connection**



Release date: 2017-01-20 13:16 Date of issue: 2017-01-20 456590\_eng.xml



UL approval

cURus AWM 2095 AWM I/II A/B 80°C 300V FT1 (cable)

Release date: 2017-01-20 13:16 Date of issue: 2017-01-20 456590\_eng.xml