



Model Number

PVM58X

Features

- Housing Ø 58 mm
- PROFIBUS interface
- 30 Bit multiturn
- Ex approval for zone 2 and zone 22
- Speed transfer
- Extended scaling functions
- Programmable limit switches
- Servo or clamping flange

Description

The absolute encoder corresponds to the PROFIBUS profile for encoders, order no. 3.062.

For operation based on Class 1, position data and diagnostic data bytes 1 ... 16 are available. In addition, the direction of the code can be selected as either ascending or descending.

If the rotary encoder is operated according to Class 2, additional functions to those from Class 1 are available. These include scaling of the resolution per revolution and the overall resolution, as well as the preset function.

Besides, the rotary encoder offers extended functionalities such as speed transfer, extended scaling functions, programmable limit switches and a commissioning mode.

The removable connecting hood contains switches for setting the terminating resistor and setting the address.

This Profibus encoder is designed for operation in zone 2 and zone 22.

Technical Data

General specifications

Detection type	photoelectric sampling
Device type	Multiturn absolute encoder
UL File Number	E223176 "For use in NFPA 79 Applications only", if UL marking is marked on the product.

Functional safety related parameters

MTTF _d	70 a
Mission Time (T _M)	20 a
L ₁₀	1.9 E+11 at 6000 rpm and 20/40 N axial/radial shaft load
Diagnostic Coverage (DC)	0 %

Electrical specifications

Operating voltage U _B	10 ... 30 V DC
Current consumption	max. 230 mA at 10 V DC, max. 100 mA at 24 V DC
Time delay before availability t _v	< 1000 ms
Linearity	± 2 LSB at 16 Bit, ± 1 LSB at 13 Bit, ± 0,5 LSB at 12 Bit
Output code	binary code
Code course (counting direction)	programmable, cw ascending (clockwise rotation, code course ascending) cw descending (clockwise rotation, code course descending)

Interface

Interface type	PROFIBUS
----------------	----------

Resolution	
Single turn	up to 16 Bit
Multiturn	14 Bit
Overall resolution	up to 30 Bit
Transfer rate	0.0096 ... 12 MBit/s
Standard conformity	PNO profile 3.062, RS-485

Connection

Terminal compartment	in removable housing cover
----------------------	----------------------------

Standard conformity

Degree of protection	DIN EN 60529 , shaft side: IP64 housing side: IP65
Climatic testing	DIN EN 60068-2-30 , no moisture condensation
Emitted interference	EN 61000-6-4:2007
Noise immunity	EN 61000-6-2:2005
Shock resistance	DIN EN 60068-2-27, 100 g, 6 ms
Vibration resistance	DIN EN 60068-2-6, 10 g, 10 ... 2000 Hz

Ambient conditions

Operating temperature	-30 ... 55 °C (-22 ... 131 °F)
Storage temperature	-30 ... 70 °C (-22 ... 158 °F)

Mechanical specifications

Material	
Combination 1	housing: powder coated aluminum flange: aluminum shaft: stainless steel
Mass	approx. 600 g
Rotational speed	max. 6000 min ⁻¹
Moment of inertia	30 gcm ²
Starting torque	≤ 3 Ncm
Shaft load	
Axial	40 N
Radial	110 N

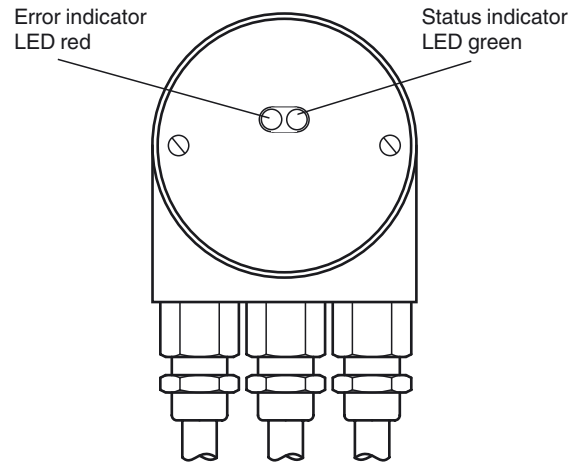
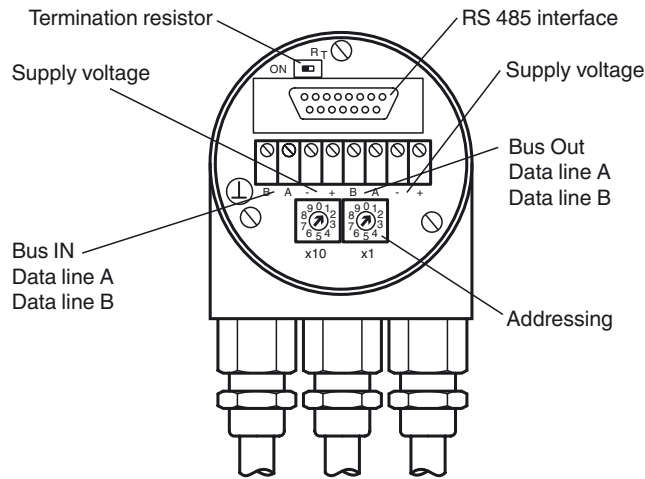
Data for application in connection with hazardous areas

ATEX marking	⊕ II 3G Ex nA IIB T4 Gc X ⊕ II 3D Ex tc IIIC T120°C Dc X
Certificate	PF 19 CERT 5194 X
Directive conformity	
Directive 2014/34/EU	EN 60079-0:2012+A11:2013 , EN 60079-15:2010 , EN 60079-31:2014

Approvals and certificates

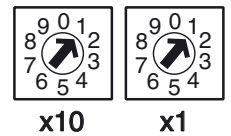
UL approval	cULus Listed, General Purpose, Class 2 Power Source , if UL marking is marked on the product.
-------------	-----------------------------------------------------------------------------------------------

Indicating and operating elements



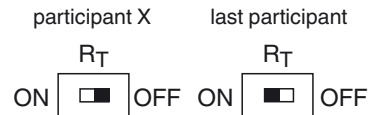
Adjusting the participant address

The participant address can be adjusted with the rotary switches. The address can be defined between 1 and 99, and may only be assigned once.



Adjusting the termination resistor

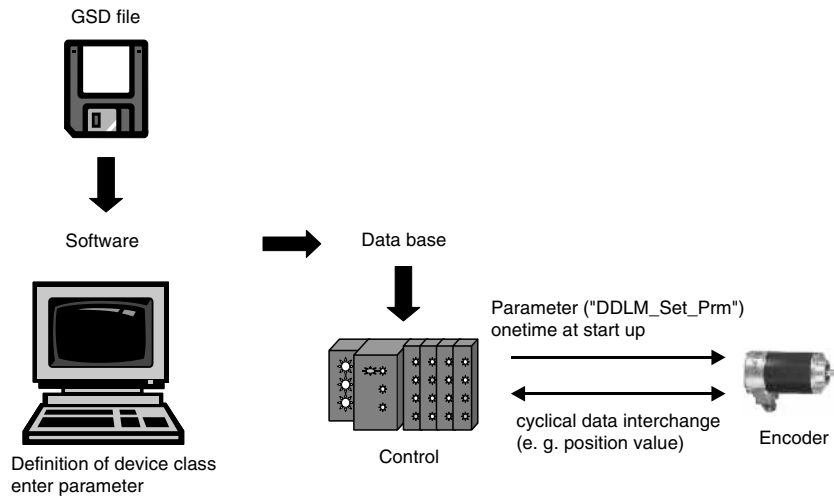
The terminating resistor R_T (220 Ω) can be connected to the circuit by means of the switch:



LED-indicators

LED red	LED green	Meaning
off	off	No voltage supply
on	on	Encoder ready, no configuration data received. possible reasons: - wrong address adjusted - wrong bus wiring
on	flashing	Parameterising or configuration error. Encoder receives data of incorrect length or inconsistent data. possible reason: - adjusted encoder resolution exceeds
flashing	on	Encoder ready, no communication with master (i.e. wrong address setting)
on	off	Data timeout (> 40 s). (i.e. data lines interrupted)
off	on	Normal operation, Data Exchange Mode
off	flashing	Installation Mode in Data Exchange Mode.

Principle of data transmission



Parameter table encoder classes P+F 2.1 and P+F 2.2

Octet number (Byte)	Parameter	Bit number
1...8	PROFIBUS standard parameters	
9	Direction of rotation	0
	Class 2 functionality	1
	Commissioning Diagnostics	2
	Scaling function	3
	Reserved	4
	Reserved	5
	Activate manufacturer specific parameters (Octet 26)	6
	Reserved	7
10 ... 13	Desired measuring steps (reference: Octet 26, Bit 0 and 1)	
14 ... 17	Overall resolution	
18 ... 25	Reserved	
26	Reference for desired measuring steps	0
		1
	Activate commissioning mode	2
	Reduced diagnosis	3
	Reserved	4
	Activate lower software limit switch	5
	Activate upper software limit switch	6
	Activation of the parameters from Octet 27	7
27 ... 30	Lower limit switch	
31 ... 34	Upper limit switch	
35 ... 38	Physical measuring steps	
39	Reserved	0
	Rotary encoder type (singleturn or multiturn)	1
	Reserved	2
	Reserved	3
	Selection of the unit for speed transfer	4
		5
	Reserved	6
	Reserved	7

Release date: 2019-08-23 11:34 Date of issue: 2019-08-23 t32836_eng.xml

Order code



- Data format**
P PROFIBUS
- Shaft version**
V Solid shaft
- Principle of operation**
M Multiturn
- Option**
X Model for hazardous areas
- Shaft dimension/flange version**
011 Shaft Ø10 mm x 20 mm with clamping flange
032 Shaft Ø6 mm x 10 mm with servo flange
- Connection type**
AG Removable housing cover with terminal compartment
- Exit position**
R Radial
- Option 1**
0 No option
- Output code**
B Binary
- Option 2**
N Not expanded
- Number of bits multiturn**
12 4096 (standard)
14 16384
- Number of bits singleturn**
13 8192 (standard)
16 65536

Release date: 2019-08-23 11:34 Date of issue: 2019-08-23 t32836_eng.xml