



Model number

ICE2-8IOL-K45S-RJ45

EtherNet/IP IO-Link master with 8 inputs/outputs, DIN rail, screw terminal

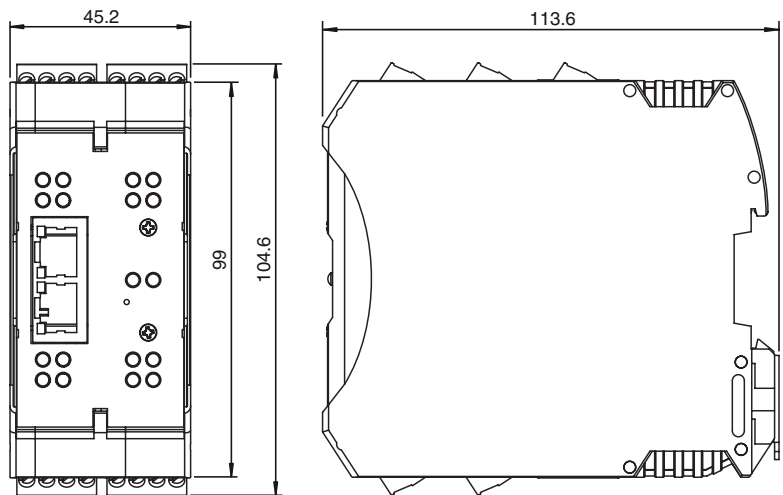
Features

- Web-based configuration of module and IO-Link devices
- Integrated IODD storage for more than 100 IODDs
- Downloadable module configuration
- Screw terminal power connector
- EtherNet/IP, Modbus/TCP and OPC UA support

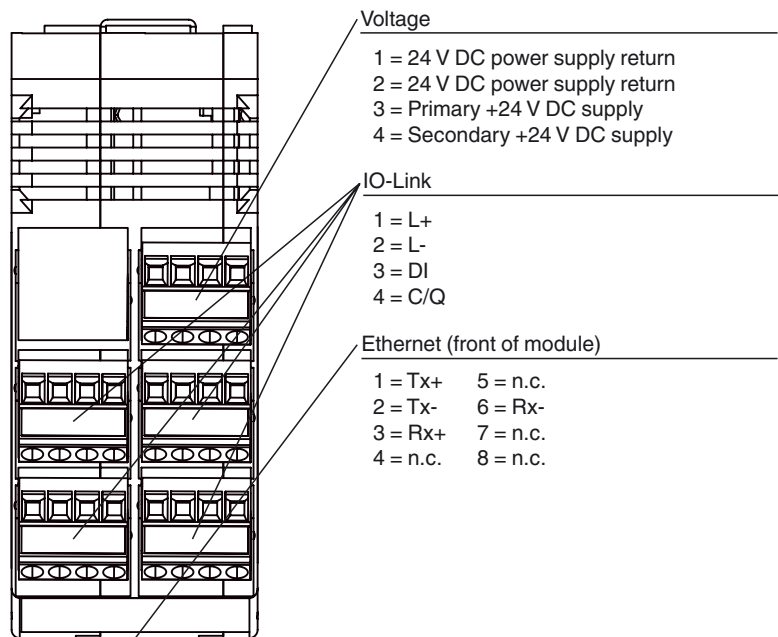
Function

The module is an EtherNet/IP fieldbus module with 8 type A IO-Link master ports according to the IO-Link standard V1.1. The fieldbus module serves as an interface between the controller of a EtherNet/IP fieldbus system and IO-Link devices at the field level. The integrated web server and IODD interpreter enables complete configuration of the fieldbus module and attached IO-Link devices without the need for special software tools. Information regarding the status of the module is also displayed and network parameters such as the IP address and subnet mask can be configured. The module is capable of storing all configuration enabling stand-alone usage without a higher-level PLC. MutiLink simultaneously provides data access via different communication protocols like EtherNet/IP, Modbus/TCP and OPC UA to multiple controllers. A screw terminal connector is used for supplying power that enables a current rating of up to 3.7 A. The inputs and outputs are equipped with screw terminal connectors. Connection to the fieldbus is achieved using a standard RJ45 Ethernet connector. Status information for each channel is displayed via LEDs as a diagnostic function.

Dimensions

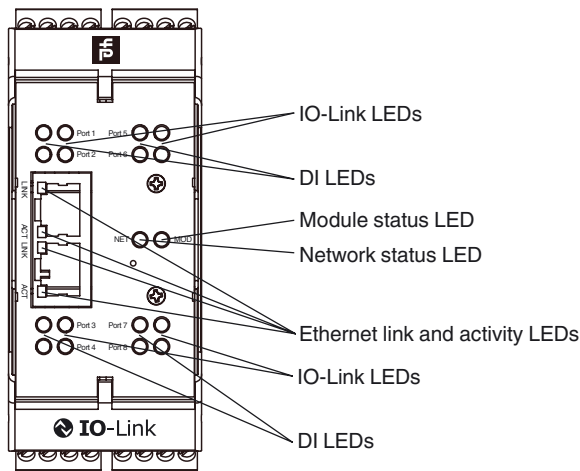


Electrical connection



Release date: 2019-10-31 10:47 Date of issue: 2019-11-11 70104879_eng.xml

Indicating / Operating means



Technical data

General specifications

UL File Number E360395

Indicators/operating means

LED indication see manual

Electrical specifications

Rated operating voltage U_e 18 ... 30 V DC
 Nominal voltage 24 V DC
 Nominal current 3.7 A
 Current consumption typ. 155 mA
 Current loading capacity Total current 3.2 A per module

Interface 1

Interface type Industrial Ethernet
 Physical RJ45
 Protocol EtherNet/IP + Modbus TCP + OPC UA
 Transfer rate 10/100 Mbps

Inputs/Outputs

Number/Type 8 x IO-Link (X1 – X8)
 Configurable as:
 Max. 8 IO-Link and 8 digital outputs
 Max. 16 digital inputs
 Max. 8 digital inputs and 8 digital outputs
 short-circuit protected

Sensor supply max. 200 mA Per port Via L+ (pin 1)
 Output rated operating current I_e max. 200 mA Per port Via C/Q (pin 4)

Directive conformity

Electromagnetic compatibility
 Directive 2014/30/EU EN 61000-6-2 , EN 61000-6-4

Standard conformity

Degree of protection EN 60529
 Fieldbus standard Type 1 according to IEC 61131-2, EN 61131-9
 Electrical safety CSA C22.2 No. 61010-1-12 / CSA C22.2 No. 61010-1-201
 UL 61010-1 / UL 61010-1-201
 Emitted interference EN 61000-6-4, FCC Part 15 Subpart B, ICES-001, AS/NZS CISPR 11
 Noise immunity EN 61000-6-2 , EN 61131-2 , EN 61131-9
 Shock resistance EN 60068-2-27

Ambient conditions

Ambient temperature -40 ... 70 °C (-40 ... 158 °F)
 Storage temperature -40 ... 70 °C (-40 ... 158 °F)
 Relative humidity max. 95 %
 Altitude 0 ... 2000 m
 Shock and impact resistance 15g, 11ms, half-sine
 Vibration resistance 5-8Hz, 3.5mm displacement, 8.4-150Hz, 1.0g acceleration

Mechanical specifications

Degree of protection IP20
 Connection Power Supply screw terminal
 Fieldbus RJ45
 Inputs/Outputs screw terminal

Accessories

V1-G-2M-PUR

Female cordset, M12, 4-pin, PUR cable

V1-G-2M-PVC

Female cordset, M12, 4-pin, PVC cable

V1-W-2M-PUR

Female cordset, M12, 4-pin, PUR cable

V1-W-2M-PVC

Female cordset, M12, 4-pin, PVC cable

V31-WM-2M-PUR

Female cordset single-ended, M8, 4-pin, PUR cable

V31-GM-2M-PUR

Female cordset single-ended, M8, 4-pin, PUR cable

V31-GM-2M-PVC

Female cordset single-ended, M8, 4-pin, PVC cable

V31-WM-2M-PVC

Female cordset single-ended, M8, 4-pin, PVC cable

V45-G-10M-V45-G

Network cable RJ-45, Category 5

Material	
Housing	Polyamide, UL94V-0
Mass	272 g
Construction type	Cabinet module
Mounting	DIN mounting rail

Release date: 2019-10-31 10:47 Date of issue: 2019-11-11 70104879_eng.xml

Refer to "General Notes Relating to Pepperl+Fuchs Product Information".

Pepperl+Fuchs Group
www.pepperl-fuchs.com

USA: +1 330 486 0001
fa-info@us.pepperl-fuchs.com

Germany: +49 621 776 4411
fa-info@de.pepperl-fuchs.com

Singapore: +65 6779 9091
fa-info@sg.pepperl-fuchs.com