



Model number

ICRL-U-8RJ45-DIN

Ethernet unmanaged switch with 8 RJ45 ports, port alarm and extended temperature range

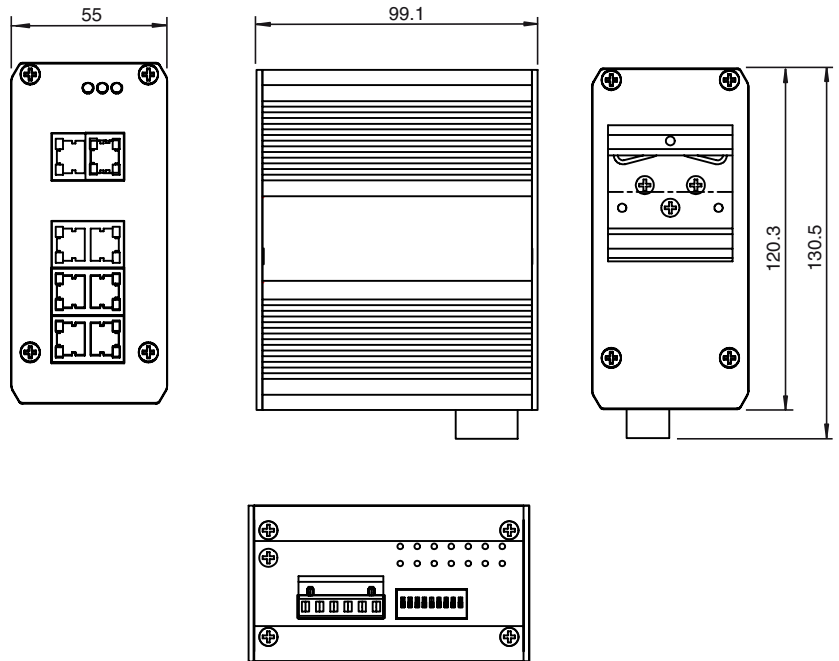
Features

- Rugged housing for use in harsh environments
- Alarm relay output for port event notifications
- Eight - 10/100BASE-TX ports
- DC power input
- Extended temperature range
- C1D2 certification

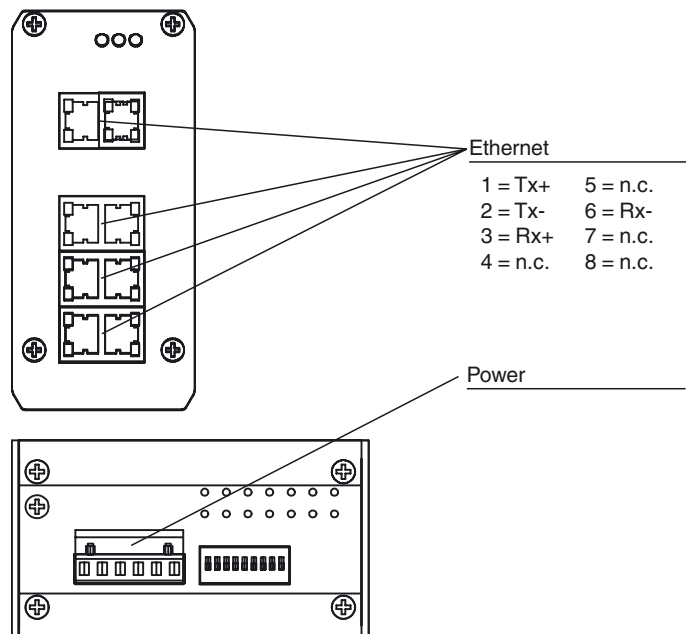
Function

The ICRL-U-8RJ45-DIN industrial Ethernet switch is used to build high performance Ethernet networks. The switch is designed for applications that require C1D2 certification, extended operating temperatures, rugged housings, high-performance communications, and reliable data transfer. This unmanaged switch provides a cost-effective solution for low-level field device connections without the need for complex configuration.

Dimensions

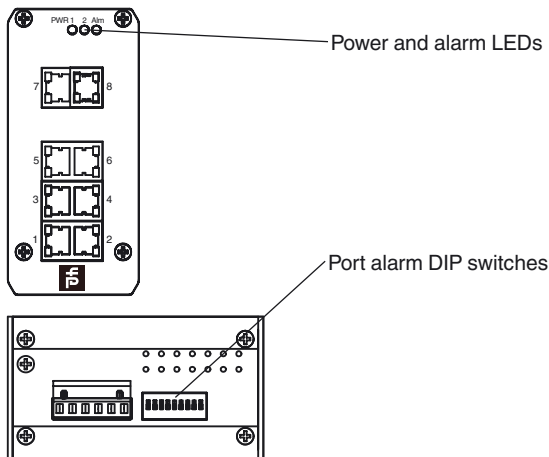


Electrical connection



Release date: 2020-01-10 17:59 Date of issue: 2020-01-10 70104881_eng.xml

Indicating / Operating means



Technical data

General specifications

UL File Number	E185802
----------------	---------

Ethernet Interface

Auto-MDI(-X)	yes
Autonegotiation	yes
Standards	
IEEE 802.3 10BASE-T	yes
IEEE 802.3u 100BASE-TX	yes
IEEE 802.1Q Quality of Service (QoS)	yes
IEEE 802.1p Class of Service (CoS)	yes

Indicators/operating means

LED indication	see manual
----------------	------------

Electrical specifications

Rated operating voltage	U_e	10 ... 60 V DC
Power consumption		5.3 W

General information

	Port Failure, DIP switch enabled, Relay Rating, 0,5A Max. @ 24VDC
Nominal voltage	24 V DC
Current consumption	typ. 220 mA

Interface 1

Interface type	Industrial Ethernet
Physical	RJ45
Transfer rate	10/100 Mbps

Inputs/Outputs

Number/Type	8 x RJ45
-------------	----------

Directive conformity

Electromagnetic compatibility	
Directive 2014/30/EU	EN61000-6-2, EN55024

Standard conformity

Electrical safety	UL 508 Class I Div 2, IEC 60950/EN60950 (LISTED), CSA C22.2 No. 60950/UL60950
Emitted interference	EN 55055
Noise immunity	EN 55024

Ambient conditions

Ambient temperature	-40 ... 75 °C (-40 ... 167 °F)
Storage temperature	-40 ... 85 °C (-40 ... 185 °F)
Relative humidity	max. 95 %
Altitude	0 ... 3048 m

Mechanical specifications

Degree of protection	IP31
Connection	Power Supply Terminal Block Fieldbus 8 x RJ45

Material

Housing	aluminium, black
Mass	540 g
Construction type	Cabinet module
Mounting	DIN rail or direct panel mounting

Accessories

V45-G-C5-GN1M-PUR-E1S

Ethernet bus cable male cordset single-ended RJ45 PROFINET-coded, 4-pin, PUR cable green, Cat5e, shielded

V45-G-C5-GN3M-PUR-E1S

Ethernet bus cable male cordset single-ended RJ45 PROFINET-coded, 4-pin, PUR cable green, Cat5e, shielded

V45-G-C5-GN10M-PUR-E1S

Ethernet bus cable male cordset single-ended RJ45 PROFINET-coded, 4-pin, PUR cable green, Cat5e, shielded

V45-G-C5-GN1M-PUR-E1S-V45-G

Ethernet bus cable RJ45 to RJ45 PROFINET-coded, 4-pin, PUR cable green, Cat5e, shielded

V45-G-C5-GN3M-PUR-E1S-V45-G

Ethernet bus cable RJ45 to RJ45 PROFINET-coded, 4-pin, PUR cable green, Cat5e, shielded

V45-G-C5-GN10M-PUR-E1S-V45-G

Ethernet bus cable RJ45 to RJ45 PROFINET-coded, 4-pin, PUR cable green, Cat5e, shielded

V45-G-C5-GN20M-PUR-E1S-V45-G

Ethernet bus cable RJ45 to RJ45 PROFINET-coded, 4-pin, PUR cable green, Cat5e, shielded