



Model Number

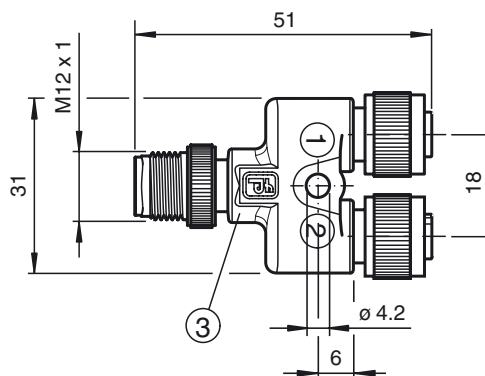
V15S-Y-V15/V15

Y-Splitter, M12 plug to 2 x M12 socket

Features

- Simple assembling of 2 signals to one M12 plug-in station
- Suitable for normally open/closed
- Degree of protection IP67
- Free from substances that impair paint wetting
- UL Recognized Component
- Gold plated contacts
- Knurled nut suitable for tool assembly
- Immunity to vibration, with mechanical latching
- Meets the VASS6 standard

Dimensions



Technical data

General specifications

Number of pins	5
Coding	A
Connection 1	socket
Construction type 1	straight
Threading 1	M12
Connection 2	socket
Construction type 2	straight
Threading 2	M12
Connection 3	Male connector
Construction type 3	straight
Threading 3	M12
UL File Number	E231213

Electrical specifications

Operating voltage	U_B	48 V AC 60 V DC
Operating current	I_B	4 A
Volume resistance		< 5 m Ω

Ambient conditions

Ambient temperature	-40 ... 90 °C (-40 ... 194 °F)
Pollution degree	3

Mechanical specifications

Degree of protection	IP67
Connection	1 x M12 connector, straight 2 x M12 straight sockets

Material

Contacts	CuSn / Au
Contact surface	Au
Body	TPU, black
Slotted nut	Diecast zinc
Sleeve connector	Diecast zinc

Flammability

Housing	V-2
---------	-----

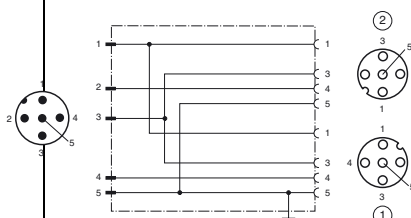
Compliance with standards and directives

Standard conformity	
Degree of protection	EN 60529
Flammability	Grip: UL 94 Cable: UL 758 / UL 1581
Specification	connector M12 x 1 : IEC 61076-2-101

Approvals and certificates

UL approval	UL Recognized General purpose
Maximum permissible operating voltage	≤ 60 V

Electrical connection



Maximum permissible ambient
temperature

≤ 80 °C (≤ 176 °F)

Accessories

MH V1-SCREWDRIVER
torque screwdriver (0.6 Nm)

MH V1-BIT M12
plug-in cap M12

V1/V3-LABELHOLDER
Label holder

V1/V3-LABEL
Label plate

MH V1-Holder
Modular universal holder for M12
connectors

V1-MARKING-RING-BLUE
Marking ring for M12 plug

V1-MARKING-RING-GREEN
Marking ring for M12 plug

V1-MARKING-RING-ORANGE
Marking ring for M12 plug

V1-MARKING-RING-RED
Marking ring for M12 plug

V1-MARKING-RING-WHITE
Marking ring for M12 plug

V1-MARKING-RING-YELLOW
Marking ring for M12 plug

Release date: 2019-10-10 15:33 Date of issue: 2019-10-10 70109844_eng.xml

Refer to "General Notes Relating to Pepperl+Fuchs Product Information".

Pepperl+Fuchs Group
www.pepperl-fuchs.com

USA: +1 330 486 0001
fa-info@us.pepperl-fuchs.com

Germany: +49 621 776 1111
fa-info@de.pepperl-fuchs.com

Singapore: +65 6779 9091
fa-info@sg.pepperl-fuchs.com

 **PEPPERL+FUCHS**