



### Model number

#### VAZ-FK-PUR-BK-2,5MM

AS-Interface flat cable for external auxiliary voltage up to 24 V

### Features

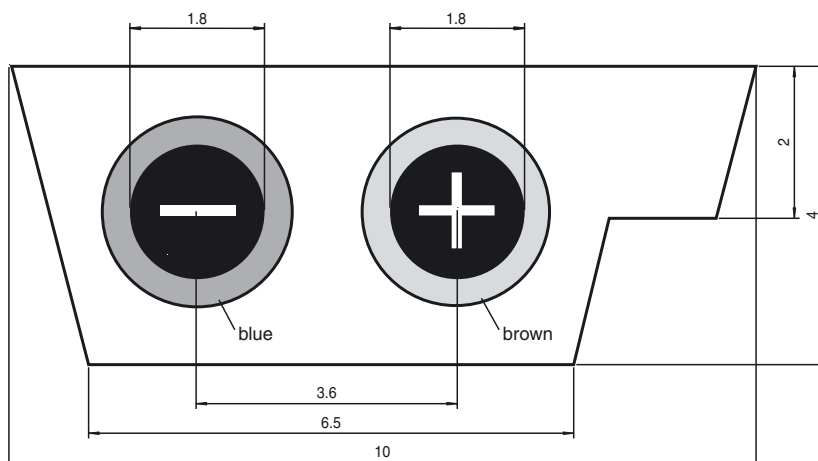
- Oil resistant
- Cable piercing technique
- Resistant to environmental influence
- Resistant to bending
- Suitable for drag chains
- Reverse polarity protected due to the shape of the cable
- halogen-free, flame-proof outer shell on PUR basis

### Accessories

#### VAZ-FK-ED3

AS-Interface end seal for flat cable

### Dimensions



### Technical data

#### General specifications

UL File Number E48408

#### Electrical specifications

Nominal voltage 90 V  
Current loading capacity According to DIN VDE 0298 Part 4, Table 6, Column 4

#### Ambient conditions

Ambient temperature -40 ... 80 °C (-40 ... 176 °F)

#### Mechanical specifications

Core cross-section	Copper, extra-fine wire, class 6 in accordance with DIN VDE 0295 cross-section 2.5 mm <sup>2</sup>
Bending radius	min. permissible bend radii in accordance with DIN VDE 0298 Part 3, Table 2 Bending stress only permitted on the wide side of the cable
Tension loading	max. 50 N/mm <sup>2</sup> on laying acc. to DIN VDE 0298 Part 3
Material	PUR (TPMU)
Core insulation	TPM
Cable	UL style 20549/10493
Bending radius	> 60 mm
Color	black (Similar to RAL 9005)
Drag chain suitability	
Motion velocity	≤ 3 m/s
Traverse distance	5 m
Acceleration	≤ 5 m/s <sup>2</sup>
Torsion cycles	≥ 500000
Cable length	100 m
Flammability	
Cable	Flame-retardant as per IEC 60332-1