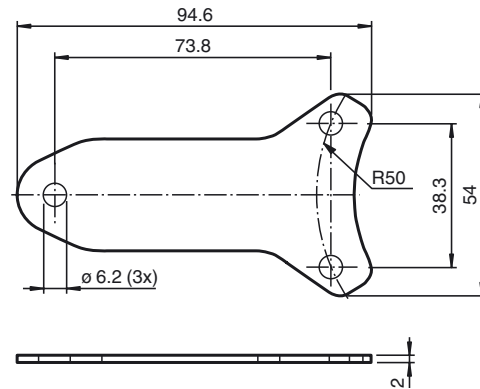




Dimensions



Model Number

ACC-TOR-ENI11HD-120

Support plate 120 mm, straight for
ENI11 HD

Technical data

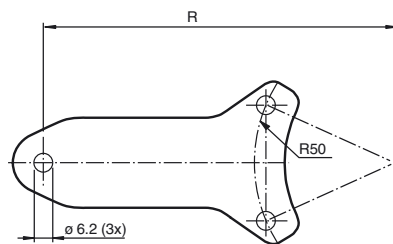
Mechanical specifications

Material Stainless steel 1.4571 / AISI 316Ti

General information

Scope of delivery
 1 Support plate 120 mm, straight
 2 washer M6 (ISO 7090)
 2 hexagon head screw M6 x 12 (ISO 4017)

Note



Radius $R = 120$ is the radial distance from the rotation axis of the rotary encoder to the mounting point of the support plate for a swivel arm.