



**Model Number**

**NJ2-D-US-2.062-V93**  
Cylinder Position Switch

**Features**

- 2-wire AC/DC
- Weld Immune
- Sensing range 2 mm
- 3000 psi rating

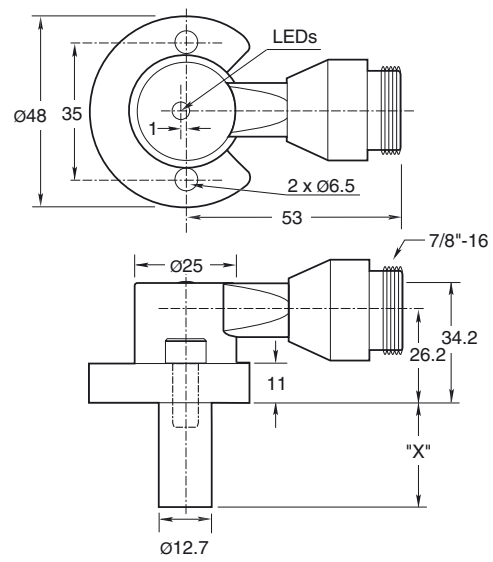
**Accessories**

- V93-G-YE2M-STOOW**  
Female cordset, 7/8" - 16 UNF, 3-pin, PUR cable
- SPACER 0.160 TO 0.375 : X.XXX"**  
Spacer for cylinder switches
- SPACER 0.380 TO 0.875 : X.XXX"**  
Spacer for cylinder switches
- SPACER 0.880 TO 1.750 : X.XXX"**  
Spacer for cylinder switches

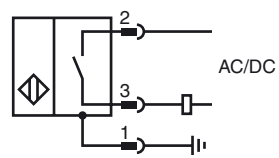
**Technical Data**

|                                   |                                       |
|-----------------------------------|---------------------------------------|
| <b>General specifications</b>     |                                       |
| Switching function                | Normally open (NO)                    |
| Output type                       | Two-wire                              |
| Rated operating distance          | $s_n$ 2 mm                            |
| Installation                      | flush                                 |
| Output polarity                   | AC/DC                                 |
| Assured operating distance        | $s_a$ 0 ... 1.62 mm                   |
| Reduction factor $r_{AI}$         | 0.4                                   |
| Reduction factor $r_{304}$        | 0.85                                  |
| Output type                       | 2-wire                                |
| <b>Nominal ratings</b>            |                                       |
| Operating voltage                 | $U_B$ 20 ... 250 V AC/20 ... 300 V DC |
| Switching frequency               | f 0 ... 20 Hz                         |
| Hysteresis                        | H 10 ... 20 % 15 typ.                 |
| Reverse polarity protection       | yes                                   |
| Short-circuit protection          | yes                                   |
| Voltage drop                      | $U_d$ ≤ 7 V                           |
| Momentary current (20 ms, 0.1 Hz) | ≤ 3 A                                 |
| Operating current                 | $I_L$ 8 ... 300 mA                    |
| Off-state current                 | $I_r$ < 1.7 mA                        |
| Mag. Field strength, AC fields    | 250 mT                                |
| Mag. Field strength, DC fields    | 100 mT                                |
| <b>Limit data</b>                 |                                       |
| Operating pressure dynamically    | 3000 psi                              |
| <b>Indicators/operating means</b> |                                       |
| LED green                         | Power on                              |
| LED red                           | Output status                         |
| LED red/green                     | Short circuit/overload indication     |
| <b>Standard conformity</b>        |                                       |
| Standards                         | EN 60947-5-2                          |
| <b>Ambient conditions</b>         |                                       |
| Ambient temperature               | -25 ... 70 °C (-13 ... 158 °F)        |
| <b>Mechanical specifications</b>  |                                       |
| Connection type                   | Connector plug 7/8 inch-16 UN , 3-pin |
| Degree of protection              | IP67                                  |
| Material                          | Housing: zinc<br>Probe: aluminum      |
| Note                              | X = 2.062 in (52.4 mm)                |
| <b>Approvals and certificates</b> |                                       |
| UL approval                       | cULus Listed, General Purpose         |
| CSA approval                      | cCSAus Listed, General Purpose        |

**Dimensions**



**Electrical Connection**



Release date: 2019-01-15 16:13 Date of issue: 2019-01-15 906598\_eng.xml

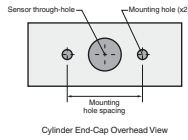
Pinout



Wire colors

|   |    |         |
|---|----|---------|
| 1 | GN | (green) |
| 2 | BK | (black) |
| 3 | WH | (white) |

**NPT Type Mounting Holes:**  
 1000 and 3000 psi NPT Types:  
 Mounting hole screw thread shall be 1/4" - 20.  
 Minimum thread engagement depth is 0.250" (6.35 mm)  
 Hole spacing is 35 mm center to center.



**Mounting Screws:**  
 Standard 1000 and 3000 psi models use two, self-locking 1/4"- 20 socket head cap screws (provided).  
 Recommended tightening torque: 150 in lb (16.95 N-m).

**⚠ Important:** When using spacers, make certain to maintain the 0.250" (6.35 mm) minimum mounting screw thread engagement.