



Model Number

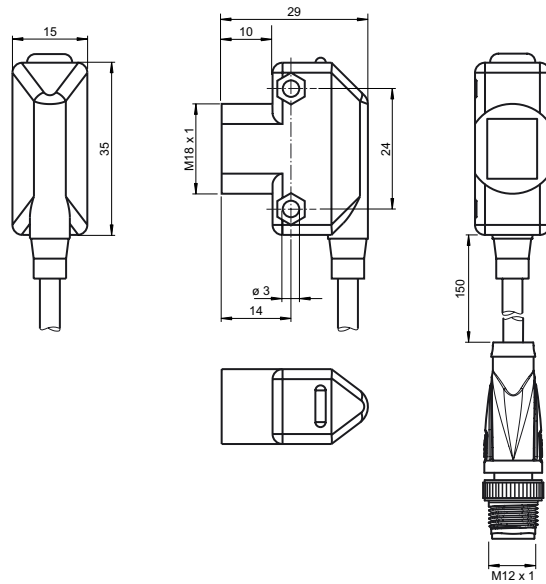
ML17-8-H-100-RT/115b/136

Background suppression sensor with fixed cable and M12 connector, 4-pin

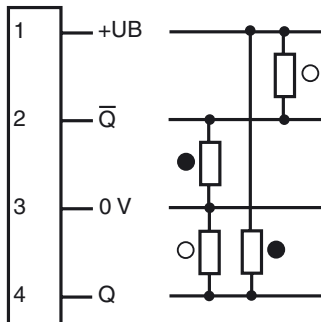
Features

- Compact, versatile housing
- 360° high visibility LEDs
- Very low color sensitivity
- Front mounting with M18-threads or side mounting holes
- Sturdy, waterproof plastic housing
- Tamper-proof version with no adjustments

Dimensions

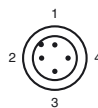


Electrical connection



- = Light on
- = Dark on

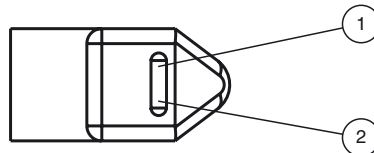
Pinout



Wire colors in accordance with EN 60947-5-2

- 1 | BN (brown)
- 2 | WH (white)
- 3 | BU (blue)
- 4 | BK (black)

Indicators/operating means



1	Signal display	yellow
2	Operating display	green

Release date: 2019-11-18 20:23 Date of issue: 2019-11-18 911124_eng.xml

Refer to "General Notes Relating to Pepperl+Fuchs Product Information".

Pepperl+Fuchs Group
www.pepperl-fuchs.com

USA: +1 330 486 0001
fa-info@us.pepperl-fuchs.com

Germany: +49 621 776 1111
fa-info@de.pepperl-fuchs.com

Singapore: +65 6779 9091
fa-info@sg.pepperl-fuchs.com

Technical data**General specifications**

Detection range	10 ... 100 mm
Background suppression	starts from 125 mm
Reference target	standard black, 100 mm x 100 mm
Light source	LED
Light type	modulated visible red light , 640 nm
Black/White difference (6 %/90 %)	≤ 15 %
Diameter of the light spot	≤ 6 mm at 100 mm
Angle of divergence	≤ 4 °
Ambient light limit	≤ 40000 Lux

Indicators/operating means

Operation indicator	green LED , solid : Power on green LED , flashing: Short circuit/overload indication
Function indicator	LED yellow, lights up with receiver lit

Electrical specifications

Operating voltage	U_B	10 ... 30 V DC , class 2
Ripple		max. 10 %
No-load supply current	I_0	< 30 mA
Time delay before availability	t_v	≤ 100 ms

Output

Switching type	light/dark on	
Signal output	2 push-pull (4 in 1) outputs, short-circuit protected, reverse polarity protected, overvoltage protected	
Switching voltage	max. 30 V DC	
Switching current	max. 100 mA	
Voltage drop	U_d	≤ 2.5 V DC
Switching frequency	f	500 Hz
Response time		≤ 1 ms

Conformity

Product standard	EN 60947-5-2
------------------	--------------

Ambient conditions

Ambient temperature	-20 ... 55 °C (-4 ... 131 °F)
Storage temperature	-20 ... 70 °C (-4 ... 158 °F)

Mechanical specifications

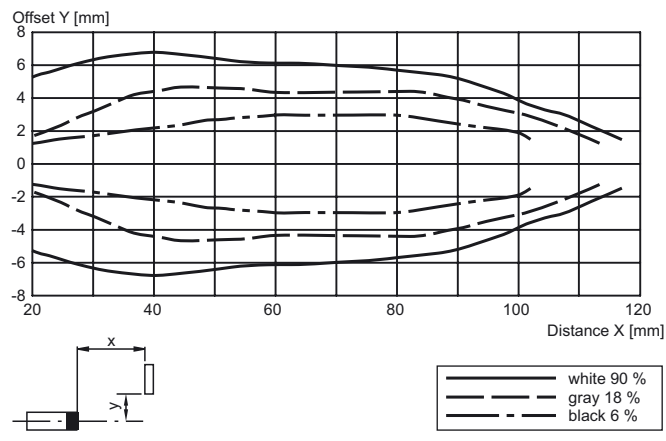
Housing width	15 mm
Housing height	34.5 mm
Degree of protection	IP67
Connection	150 mm PVC cable with 4-pin, M12 connector
Material	
Housing	ABS
Optical face	Acrylic
Mass	approx. 23 g

Approvals and certificates

UL approval	cULus
CCC approval	CCC approval / marking not required for products rated ≤36 V

Curves/Diagrams

Characteristic response curve

**Accessories**

OMH-ML17-EZ
Mounting bracket

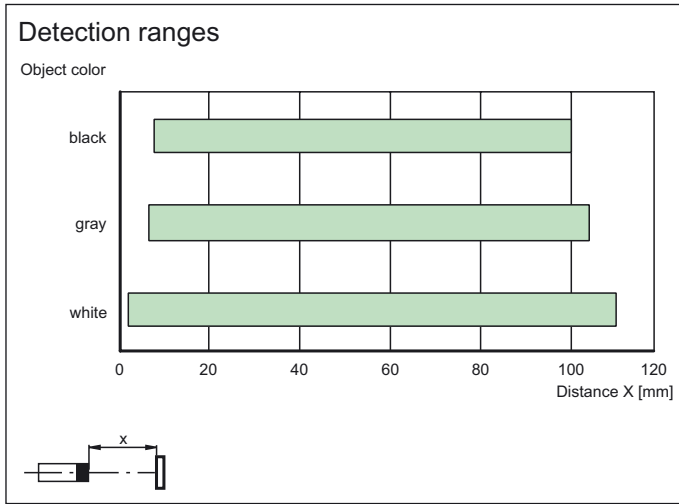
OMH-ML17
Mounting bracket

OMH-ML17-1
Mounting bracket

V1-G-2M-PUR
Female cordset, M12, 4-pin, PUR cable

V1-W-2M-PUR
Female cordset, M12, 4-pin, PUR cable

Additional accessories can be found in the Internet.



Release date: 2019-11-18 20:23 Date of issue: 2019-11-18 911124_eng.xml

Refer to "General Notes Relating to Pepperl+Fuchs Product Information".

Pepperl+Fuchs Group
www.pepperl-fuchs.com

USA: +1 330 486 0001
fa-info@us.pepperl-fuchs.com

Germany: +49 621 776 1111
fa-info@de.pepperl-fuchs.com

Singapore: +65 6779 9091
fa-info@sg.pepperl-fuchs.com