



## Model Number

**NMB15-30GM55-Z4-C4-300MM-V1**

## Features

- 15 mm flush
- Increased operating distance
- Stainless steel sensing face
- 2-wire DC
- Weld field immune
- Weld slag resistant coating
- Pigtail quick disconnect

## Accessories

### AB-30-L3M-C

Mounting aid

### V1-G-OR2M-POC

Female cordset, M12, 4-pin, TPE cable, welding-bead resistant

## Technical Data

### General specifications

Switching function		Normally open (NO)
Output type		Two-wire
Rated operating distance	$s_n$	15 mm
Installation		flush
Output polarity		DC
Assured operating distance	$s_a$	0 ... 12.15 mm
Actuating element		Ferrous and nonferrous targets
Reduction factor $r_{Al}$		0
Reduction factor $r_{Cu}$		0
Reduction factor $r_{304}$		0.8
Reduction factor $r_{St37}$		1
Output type		2-wire

### Nominal ratings

Operating voltage	$U_B$	6 ... 30 V DC
Switching frequency	$f$	1 Hz
Hysteresis	$H$	3 ... 15 typ. 5 %
Reverse polarity protection		reverse polarity-conductive
Short-circuit protection		yes
Voltage drop	$U_d$	< 3 V DC
Operating current	$I_L$	2 ... 100 mA
Off-state current	$I_r$	< 400 $\mu$ A
Switching state indicator		LED, red
Mag. Field strength, AC fields		250 mT
Mag. Field strength, DC fields		250 mT

### Ambient conditions

Ambient temperature		0 ... 70 °C (32 ... 158 °F)
---------------------	--	-----------------------------

### Mechanical specifications

Connection type		300 mm POC cable with 3-pin, M12 x 1 connector
Housing material		Xylan coated - Stainless steel 1.4305 / AISI 303
Sensing face		Xylan coated - Stainless steel 1.4305 / AISI 303
Degree of protection		IP67 / according to cable specification

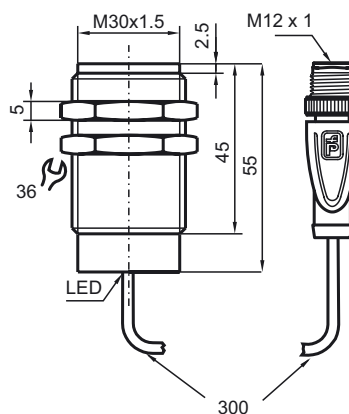
### Compliance with standards and directives

Standard conformity		
Standards		EN 60947-5-2:2007 IEC 60947-5-2:2007

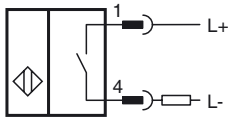
### Approvals and certificates

UL approval		cULus Listed, General Purpose
CSA approval		cCSAus Listed, General Purpose
CCC approval		CCC approval / marking not required for products rated $\leq 36$ V

## Dimensions



Electrical Connection

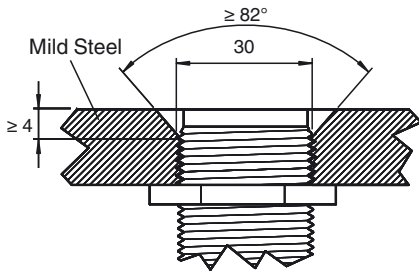


Pinout



Wire colors in accordance with EN 60947-5-2

1	BN	(brown)
2	WH	(white)
3	BU	(blue)
4	BK	(black)



Sensor face is flush with mounting surface.