

SITOR FUSE-LINK UTILIZ. CATEGORY GR,
DIN 43620 80A , AC 690 V ,(SIZE 00)



Similar to image

Technical data:

| | | |
|---|----|-------------|
| Current / for AC / rated value | A | 80 |
| Size of the fallback-system / acc. to DIN EN 60269-1 | | NH00 |
| Supply voltage | | |
| • for AC / rated value | V | 690 |
| • for DC | V | 250 |
| Switching capacity current | | |
| • in accordance with IEC 60947-2 / rated value | kA | 70 |
| Design of an identification indicator | | others |
| Ambient temperature | °C | -20 ... +50 |
| Varying load factor (WL) | | 1 |

Certificates/approvals:

General Product Approval

Declaration of Conformity



Further information:

Information- and Downloadcenter (Catalogs, Brochures,...)

<http://www.siemens.com/lowvoltage/catalogs>

Industry Mall (Online ordering system)

<http://www.siemens.com/lowvoltage/maill>

Service&Support (Manuals, Certificates, Characteristics, FAQs,...)

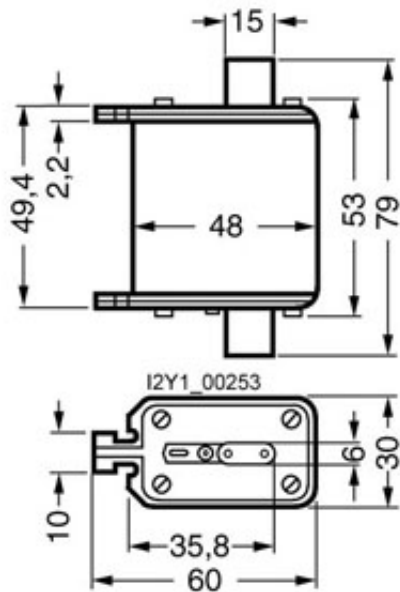
<http://support.automation.siemens.com/WW/view/en/3NE1020-2/all>

Image database (product images, 2D dimension drawings, 3D models, device circuit diagrams, ...)

http://www.automation.siemens.com/bilddb/cax_en.aspx?mlfb=3NE1020-2

CAX-Online-Generator

<http://www.siemens.com/cax>



last change:

Feb 15, 2013