



SITOR FUSE-LINK UTILIZ. CATEGORY GS,
DIN 43620 100A , AC 690 V ,(SIZE 00)

Similar to image

Technical data:

Current / for AC / rated value	A	100
Operating class of the fuse link		gS
Size of the fallback-system / acc. to DIN EN 60269-1		NH00
Supply voltage		
• for AC / rated value	V	690
• for DC	V	250
Switching capacity current		
• in accordance with IEC 60947-2 / rated value	kA	71
Design of an identification indicator		others
Ambient temperature	°C	-20 ... +50
Varying load factor (WL)		1

Certificates/approvals:

General Product Approval



CCC



GOST



UL

Declaration of Conformity



EG-Konf.

Further information:

Information- and Downloadcenter (Catalogs, Brochures,...)

<http://www.siemens.com/lowvoltage/catalogs>

Industry Mall (Online ordering system)

<http://www.siemens.com/lowvoltage/maill>

Service&Support (Manuals, Certificates, Characteristics, FAQs,...)

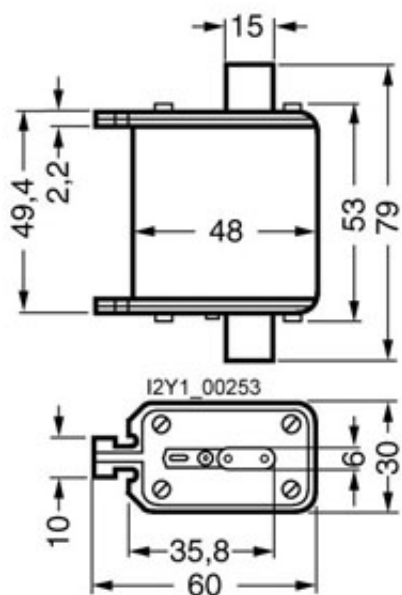
<http://support.automation.siemens.com/WW/view/en/3NE1021-0/all>

Image database (product images, 2D dimension drawings, 3D models, device circuit diagrams, ...)

http://www.automation.siemens.com/bilddb/cax_en.aspx?mlfb=3NE1021-0

CAX-Online-Generator

<http://www.siemens.com/cax>



last change:

Feb 15, 2013