

Features

- Sensor for continuous level measurement in liquids
- Resolution 5 mm or 15 mm
- Media contacting parts of stainless steel
- Mounting without removing the float

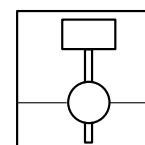
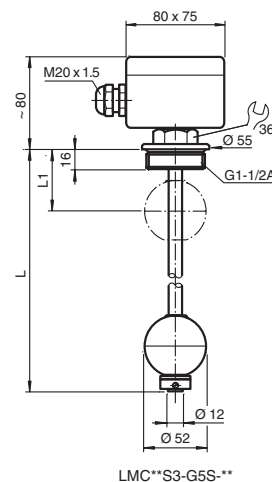
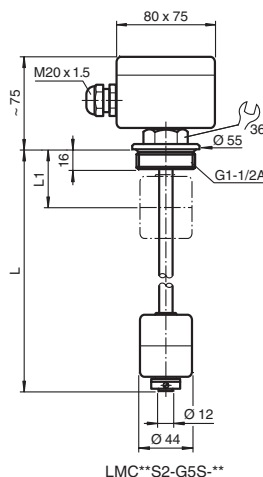
Function

The device is a sensor for continuous level measurement in liquids.

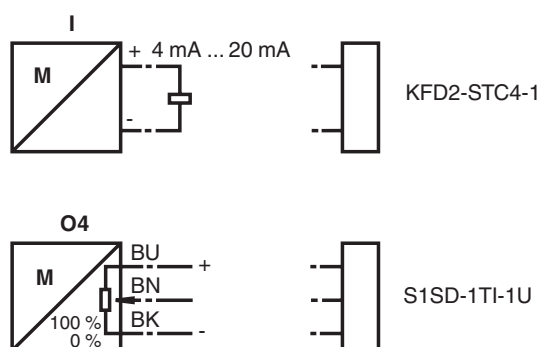
A ring magnet integrated in the float activates a reed contact resistance chain inside the probe tube via its magnetic field.

If the level changes, the resistance chain changes its total resistance by closing the contact at the float level. The resistance is converted into a standardised output signal by a control unit. This output signal is proportional to the level of the measured medium.

Assembly



Connection



Release date 2020-01-23 11:52 Date of issue 2020-01-23 t29388_eng.xml

Refer to "General Notes Relating to Pepperl+Fuchs Product Information".

General specifications	
Equipment architecture	A measuring system consists of a magnet-operated immersion probe LMC****-***-I with built-in converter and a transmitter power supply KFD2-STC4-1 or of a magnet-operated immersion probe LMC****-***-O4 and a signal converter S1SD-1TI-1U.
Output	
Connection	version I: 2-wire, 4 ... 20 mA version O4: 3-wire, potentiometer connection approx. 40 kΩ
Directive conformity	
Electromagnetic compatibility Directive 2014/30/EU	EN 61326-1:2013 , EN 61326-2-3:2013
Conformity	
Degree of protection	IEC 60529:2000
Measurement accuracy	
Accuracy	resolution: - version LMC5: 5 mm - version LMC15: 15 mm
Operating conditions	
Process conditions	
Process temperature	-20 ... 120 °C (-4 ... 248 °F)
Process pressure (static pressure)	≤ 16 bar (232.1 psi)
Density	version S1: ≥ 0.6 g/cm ³ version S2: ≥ 0.8 g/cm ³ version S3: ≥ 0.7 g/cm ³
Ambient conditions	
Ambient temperature	-20 ... 70 °C (-4 ... 158 °F)
Mechanical specifications	
Degree of protection	IP65
Connection	Version I: 2 terminals, max. 2.5 mm ² Version O4: 3 terminals, max. 2.5 mm ²
Material	float, guide tube, process connection: stainless steel 1.4571/316Ti terminal box: aluminum die-casting
Dimensions	float: - version S1: ball Ø80 mm - version S2: cylinder Ø44 mm x 52 mm - version S3: ball Ø52 mm guide tube: - version LMC5: Ø14 mm, max. length 3000 mm - version LMC15: Ø12 mm, max. length 3000 mm terminal box: 80 x 75 x 55 mm
Process connection	thread G1/2A, G1-1/2A to DIN/ISO 228/1
General information	
Supplementary information	Statement of Conformity, Declaration of Conformity, Attestation of Conformity and instructions have to be observed where applicable. For information see www.pepperl-fuchs.com .
Accessories	
Optional accessories	LML-FS1 float, ball, Ø80 mm, 1.4571/316Ti LML-FS4 float, ball, Ø44 mm, 1.4571/316Ti LML-FS5 float, ball, Ø52 mm, Titanium LML-FS6 float, cylinder, Ø44 mm x 52 mm, 1.4571/316Ti

Release date 2020-01-23 11:52 Date of issue 2020-01-23 t29388_eng.xml

Type Code



*This overview does not mark options which are mutually exclusive.
Option with * = on request/in preparation*

Device	
LMC	Magnetic immersion probe for continuous measurement
Resolution	
5	5 mm
15	15 mm
Guide tube material	
S	1.4571/316Ti
Float	
1	Ball, Ø80 mm, 1.4571/316Ti
2	Cylinder, Ø44 mm x 52 mm, 1.4571/316Ti
3	Ball, Ø52 mm, 1.4571/316Ti
Process connection	
G2	Thread G1/2A, DIN/ISO 228/1
G5	Thread G1-1/2A, DIN/ISO 228/1
Process connection material	
S	1.4571/316Ti
Electrical output	
I	2-wire, 4 mA ... 20 mA
O4	3-wire, potentiometer connection approx. 40 kΩ
Guide tube length	
L	Specified length, max. 3000 mm

Release date 2020-01-23 11:52 Date of issue 2020-01-23 t29388_eng.xml

Refer to "General Notes Relating to Pepperl+Fuchs Product Information".

Pepperl+Fuchs Group
www.pepperl-fuchs.com

USA: +1 330 486 0002
pa-info@us.pepperl-fuchs.com

Germany: +49 621 776 2222
pa-info@de.pepperl-fuchs.com

Singapore: +65 6779 9091
pa-info@sg.pepperl-fuchs.com