

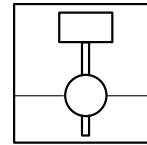
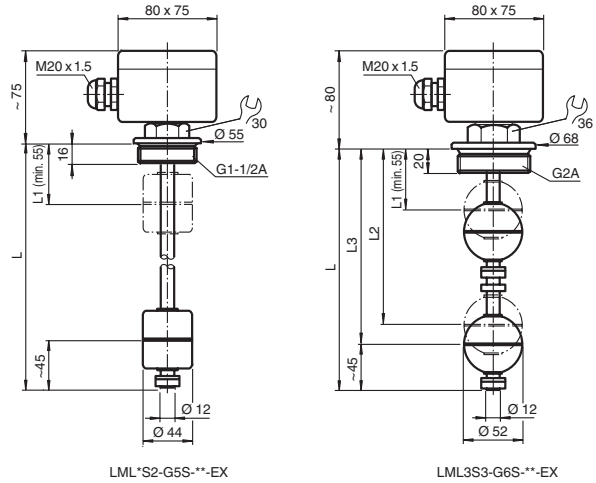
**Features**

- Sensor for limit value detection in liquids
- Media contacting parts of stainless steel
- Mounting without removing the float
- Approved for zone 0

**Function**

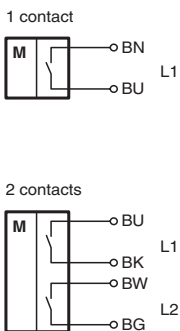
The device is a sensor for limit value detection in liquids. A ring magnet integrated in the float activates the contacts inside the probe tube via its magnetic field. If the probe strays outside the range of the mechanical contact, it reverts to the output status. The skipping of switching points caused by abrupt level changes can be avoided using snap-on set collars on the probe tube. The same set collars are also used for latching contact operation.

**Assembly**

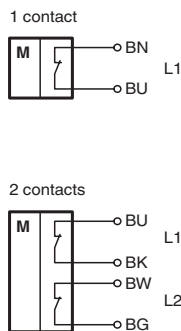


**Connection**

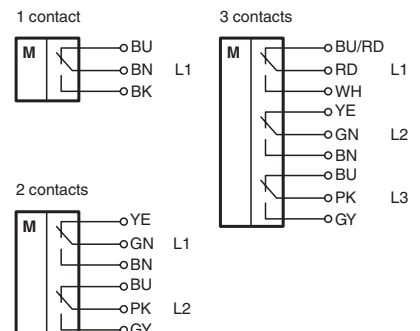
**NO contact**



**NC contact**

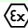


**Change-over contact**



Release date 2020-02-27 09:46 Date of issue 2020-02-27 t3030\_eng.xml

Refer to "General Notes Relating to Pepperl+Fuchs Product Information".

<b>General specifications</b>		
Function principle	ring magnet as switching element in the float, reed contact number of contacts: - version LML1: 1 contact - version LML2: 2 contacts - version LML3: 3 contacts switching function: - version DO: with rising level NC contact - version DS: with rising level NO contact - version DW: with rising level change-over contact	
Equipment architecture	A measuring system consists of a magnet-operated immersion probe LML*S*-*S**-Ex and a (up to 3) isolated amplifier(s) with certified intrinsically safe circuit, for example KFD2-SR2-Ex1.W.	
<b>Directive conformity</b>		
Electromagnetic compatibility		
Directive 2014/30/EU	EN 61000-6-2:2006 , EN 61000-6-4:2011	
<b>Conformity</b>		
Degree of protection	IEC 60529:2000	
<b>Operating conditions</b>		
Process conditions		
Process temperature	-30 ... 150 °C (-22 ... 302 °F)	
Process pressure (static pressure)	≤ 25 bar (362.6 psi)	
Density	version S2: ≥ 0.8 g/cm <sup>3</sup> version S3: ≥ 0.7 g/cm <sup>3</sup>	
<b>Ambient conditions</b>		
Ambient temperature	terminal box: -50 ... 60 °C (-58 ... 140 °F)	
<b>Mechanical specifications</b>		
Degree of protection	IP65	
Connection	max. 6 terminals, max. 2.5 mm <sup>2</sup>	
Material	float, guide tube, process connection: stainless steel 1.4571/316Ti terminal box: aluminum die-casting	
Dimensions	float: - version S2: cylinder Ø44 mm x 52 mm - version S3: ball Ø52 mm guide tube: Ø12 mm, max. length 3000 mm terminal box: 80 x 75 x 57 mm	
Process connection	thread G1-1/2A, G2A to DIN/ISO 228/1	
<b>Data for application in connection with hazardous areas</b>		
EU-type examination certificate		
Marking	KEMA 03 ATEX 1496 X  II 1/2G EEx ia IIC T3...T6	
Voltage	U <sub>i</sub>	36 V
Current	I <sub>i</sub>	100 mA
Internal capacitance	C <sub>i</sub>	0 nF
Internal inductance	L <sub>i</sub>	0 µH
<b>Directive conformity</b>		
Directive 2014/34/EU	EN 60079-0:2012, EN 60079-11:2012, EN 60079-26:2007	
<b>General information</b>		
Supplementary information	EC-Type Examination Certificate, Statement of Conformity, Declaration of Conformity, Attestation of Conformity and instructions have to be observed where applicable. For information see <a href="http://www.pepperl-fuchs.com">www.pepperl-fuchs.com</a> .	
<b>Accessories</b>		
Optional accessories	LML-Z11 set collar, 1.4571/316Ti LML-FS2 float, cylinder, Ø44 mm x 52 mm, 1.4571/316Ti LML-FS3 float, ball, Ø52 mm, 1.4571/316Ti	

Release date 2020-02-27 09:46 Date of issue 2020-02-27 t3030\_eng.xml

Refer to "General Notes Relating to Pepperl+Fuchs Product Information".



*This overview does not mark options which are mutually exclusive.*

*Option with \* = on request/in preparation*

<b>Device</b>	
LML	Magnetic immersion probe for limit value detection
<b>Number of contacts</b>	
1	1 contact
2	2 contacts
3	3 contacts
<b>Guide tube material</b>	
S	1.4571/316Ti
<b>Float</b>	
2	Cylinder, Ø44 mm x 52 mm, 1.4571/316Ti
3	Ball, Ø52 mm, 1.4571/316Ti
<b>Process connection</b>	
G5	Thread G1-1/2A, DIN/ISO 228/1
G6	Thread G2A, DIN/ISO 228/1
<b>Process connection material</b>	
S	1.4571/316Ti
<b>Electrical output</b>	
DO	NC contact, directly
DS	NO contact, directly
DW	Change-over contact, directly
<b>Approval</b>	
EX	ATEX II 1/2G EEx ia IIC T3...T6
<b>Guide tube length</b>	
L	<p>Specified length, max. 3000 mm</p> <p>Specify the location of the contacts when placing your order. The tube length L will be defined corresponding to the lowest contact location.</p> <p>Minimum distance between L1 and L2: 20 mm.</p> <p>If you are using 3 contacts, observe the following distances</p> <ul style="list-style-type: none"> <li>• minimum distance between L1 and L2: 80 mm</li> <li>• minimum distance between L2 and L3: 20 mm</li> </ul>