

Features

- Limit value detection for liquids as maximum detection
- High switching capacity
- Used in open or pressureless vessels

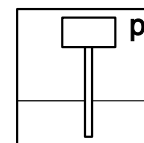
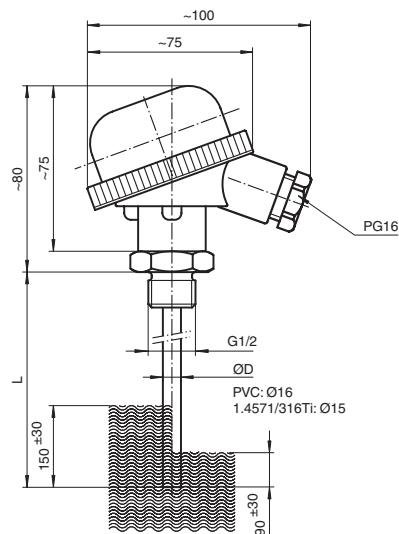
Function

The membrane switch (changeover) in the terminal box switches, when a hydrostatic pressure of 15 mbar caused by the rising liquid rises up. The switch falls back with a pressure drop of 6 mbar.

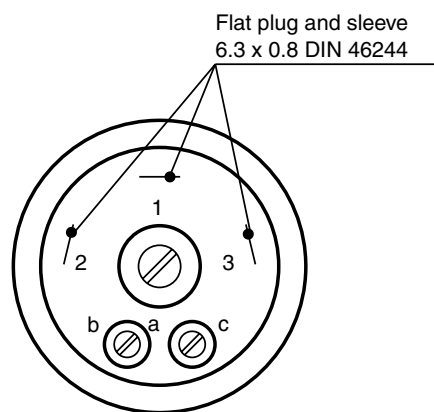
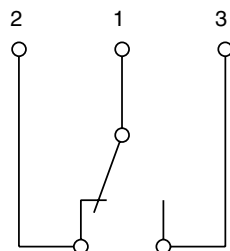
The switching points are factory-set and fixed.

This device may be used with any circuit, if this circuit complies with the connection values of the switching element.

Assembly



Connection



Release date 2016-08-01 16:08 Date of issue 2016-08-01 t23923_eng.xml

Refer to "General Notes Relating to Pepperl+Fuchs Product Information".

Pepperl+Fuchs Group
www.pepperl-fuchs.com

USA: +1 330 486 0002
pa-info@us.pepperl-fuchs.com

Germany: +49 621 776 2222
pa-info@de.pepperl-fuchs.com

Singapore: +65 6779 9091
pa-info@sg.pepperl-fuchs.com

General specifications	
Equipment architecture	switching element: changeover switching on point: 15 mbar ± 3 mbar, switching off point: 9 mbar ± 3 mbar max. hydrostatic pressure: 500 mbar
Supply	
Rated voltage U_n	253 V AC , 50/60 Hz
Current consumption	max. 1 A
Conformity	
Degree of protection	IEC 60529:2001
Operating conditions	
Process conditions	
Process temperature	-20 ... 70 °C (-4 ... 158 °F)
Ambient conditions	
Ambient temperature	-20 ... 70 °C (-4 ... 158 °F)
Mechanical specifications	
Degree of protection	IP54
Connection	flat plug 6.3 x 0.8 mm (0.25 x 0.03 inch), DIN 46244
Material	housing: PA pipe: stainless steel 1.4571/316Ti or PVC
Dimensions	housing: 100 x 75 x 80 mm (4 x 3 x 3.1 inch) pipe: length L 180 ... 5000 mm (0.6 ... 16.5 ft)
Process connection	thread G1/2 to ISO 228
General information	
Supplementary information	Statement of Conformity, Declaration of Conformity, Attestation of Conformity and instructions have to be observed where applicable. For information see www.pepperl-fuchs.com .

Type Code



*This overview does not mark options which are mutually exclusive.
Option with * = on request/in preparation.*

Device	
HR-021	Hydrostatic pressure switch

Pipe material	
1	PVC
3	Stainless steel 1.4571/316Ti

Pipe diameter	
1	Ø15 mm, stainless steel
2	Ø16 mm, PVC

Process connection	
1	Thread G1/2A, DIN/ISO 228/1

Pipe length	
L	Specified length, max. 5000 mm

Release date 2016-08-01 16:08 Date of issue 2016-08-01 t23923_eng.xml