

Features

- Limit switch for liquids in the food sector
- External function test with test magnet
- Onsite function check possible thanks to LED indication
- Large selection of process connections for hassle-free installation in existing systems
- Easy to install even at points difficult to access due to compact design
- Rugged stainless steel housing
- Suitable for process temperatures up to 150 °C (302 °F)
- Cost-saving plug connections
- Approval as overflow protection and leak detection system acc. to WHG

Function

The Vibracon LVL-A7H is a limit switch for universal use in all liquids. It is used preferably in storage tanks, mixing vessels and pipes, where the internal and external hygiene requirements are particularly stringent.

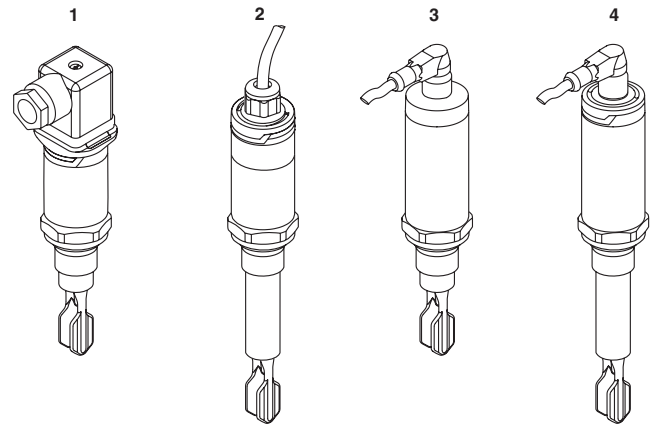
The device is suitable for applications in which float switches or conductive, capacitance and optical sensors have been used up to now. The device also works in areas where these measuring principles are not suitable due to conductivity, buildup, turbulence, flow conditions or air bubbles.

The device can be used for process temperatures up to:

- 100 °C (212 °F), CIP capable
- 150 °C (302 °F), CIP and SIP capable
- CIP = Cleaning in Place, SIP = Sterilization in Place

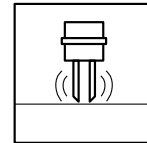
The device is not suitable for use in hazardous areas.

Assembly



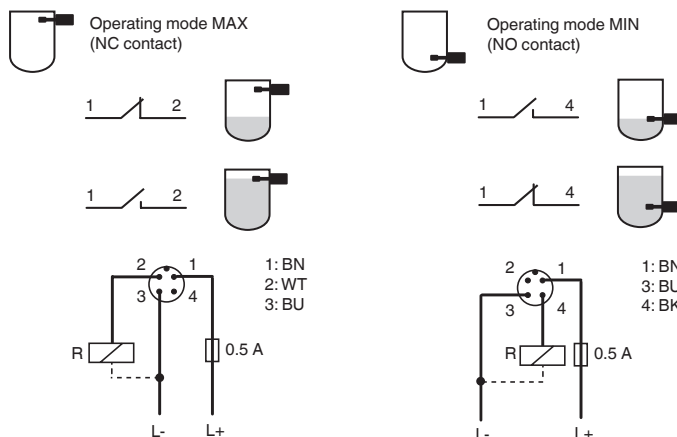
- 1 Compact version with valve plug
- 2 Short tube version with cable
- 3 Compact version with M12 plug for housing cover IP66/68/69
- 4 Short tube version with M12 plug for housing cover IP65/67

Further device versions see technical information (TI).



Connection

Example: electrical connection with M12 plug
Further electrical connections see technical information (TI).



Release date 2019-03-13 16:00 Date of issue 2019-03-13 275575_eng.xml

Refer to "General Notes Relating to Pepperl+Fuchs Product Information".

General specifications		
Measuring method		The tuning fork is brought to its resonance frequency by means of a piezoelectric drive. If the tuning fork is covered by liquid, this frequency changes. The electronics monitor the resonance frequency and indicate whether the tuning fork is freely vibrating or is covered by liquid.
Construction type		compact device device with short tube
Operating mode		MAX = maximum safety: The device keeps the electronic switch closed as long as the liquid level is below the fork. example application: overspill protection MIN = minimum safety: The device keeps the electronic switch closed as long as the fork is immersed in liquid. example application: dry running protection of pumps The electronic switch opens if the limit is reached, if a fault occurs or in the event of a power fails (quiescent current principle)
Supply		
Rated voltage	U_r	- DC-PNP: 10 ... 35 V DC, 3-wire - AC/DC: 20 ... 253 V AC/DC, 2-wire
Current consumption		- DC-PNP: < 15 mA - AC/DC: < 3.8 mA
Power consumption		- DC-PNP: < 975 mW - AC/DC: < 850 mW
Input		
Measured variable		density
Measurement range		min. 0.7 g/cm ³ , optional > 0.5 g/cm ³
Output		
Output type		switch output
Switching current		max. 250 mA
Directive conformity		
Electromagnetic compatibility		
Directive 2014/30/EU		EN 61326-1:2006 , EN 61326-2-3:2006
Low voltage		
Directive 2014/35/EU		EN 61010-1:2010
Conformity		
Electromagnetic compatibility		NE 21
Degree of protection		IEC 60529
Shock resistance		EN 60068-2-27
Vibration resistance		EN 60068-2-64
Climate class		DIN EN 60068-2-38/IEC 68-2-38
Measurement accuracy		
Reference operating conditions		- ambient temperature: 25 °C (+77 °F) - process pressure: 1 bar (14.5 psi) - fluid: water (density: approx. 1 g/cm ³ , viscosity: 1 mm ² /s) - medium temperature: 25 °C (+77 °F) - density setting: > 0.7 g/cm ³ - switching time delay: standard (0,5 s, 1 s)
Measured value resolution		< 0.5 mm
Measuring frequency		approx. 1100 Hz in air
Switching point		13 mm ± 1 mm
Non-repeatability		± 1 mm acc. to DIN 61298-2
Hysteresis		max. 3 mm
Influence of ambient temperature		negligible
Influence of medium temperature		-25 µm/°C
Influence of medium pressure		-20 µm/bar
Switching time		- 0.5 s when tuning fork is covered - 1.0 s when tuning fork is uncovered - other switching times on request
Operating conditions		
Installation conditions		
Installation position		see section mounting position
Ambient conditions		
Ambient temperature		-40 ... 70 °C (-40 ... 158 °F)
Storage temperature		-40 ... 85 °C (-40 ... 185 °F)
Shock resistance		a = 300 m/s ² = 30 g, 3 planes x 2 directions x 3 shocks x 18 ms, as per test Ea
Vibration resistance		a(RMS) = 50 m/s ² , ASD = 1.25 (m/s ²) ² /Hz, f = 5 to 2000 Hz, t = 3 x 2 h
Process conditions		
Medium temperature		-40 ... +100 °C (-40 ... +212 °F) -40 ... +150 °C (-40 ... +302 °F)
Process pressure (static pressure)		-1 ... +40 bar (-14.5 ... +580 psi)

Release date 2019-03-13 16:00 Date of issue 2019-03-13 275575_eng.xml

Refer to "General Notes Relating to Pepperl+Fuchs Product Information".

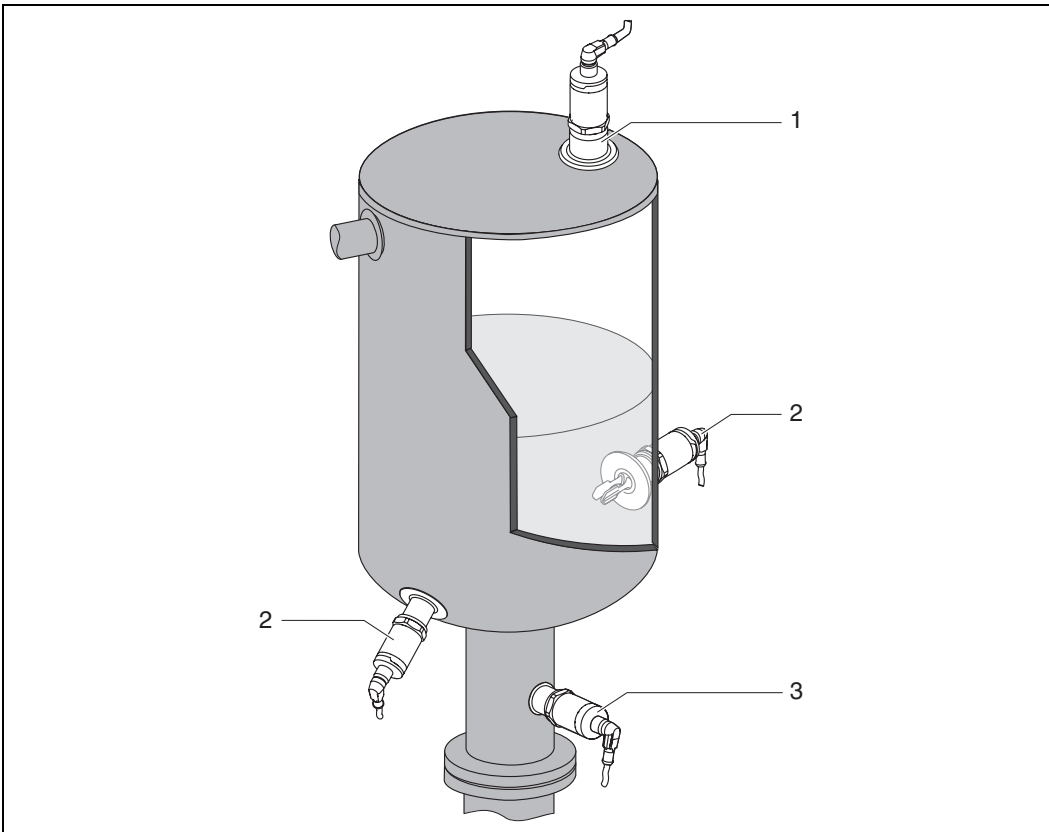
State of aggregation	liquid
Density	min. 0.7 g/cm ³ , optional > 0.5 g/cm ³
Viscosity	1 ... 10000 mPa/s, dynamic viscosity
Solid contents	< Ø5 mm
Mechanical specifications	
Degree of protection	<ul style="list-style-type: none"> - IP65/67, NEMA 4X enclosure (plug M12) - IP65, NEMA 4X enclosure (valve plug) - IP65/68, NEMA 4X/6P enclosure (cable) - IP66/68/69, NEMA 4X/6P Enclosure (M12 plug for metal housing cover)
Connection	<ul style="list-style-type: none"> - cable 5 m - valve plug NPT1/2 - valve plug QUICKON - valve plug M16 - plug M12
Material	see technical information (TI)
Surface quality	<p>R_a < 1.5 µm (EHEDG)</p> <p>R_a < 0.76 µm (EHEDG, 3-A)</p>
Mass	see technical information (TI)
Dimensions	see technical information (TI)
Process connection	<ul style="list-style-type: none"> - thread ISO 228 G1/2, G3/4, G1 - DIN 11851 DN25 PN40, DN32 PN40, DN40 PN40 - thread ASME MNPT1/2, MNPT3/4, MNPT1 - thread M24 x 1,5 for flush-mounted installation in adapter - DIN 11851 DN25 PN40, DN32 PN40, DN40 PN40 (dairy pipe) - Tri-Clamp ISO 2852 DN25-38, DN40-51 - Flush-mounting in weld-in adapter Rd52, tuning fork can be aligned
Indication and operation	
Display elements	<p>The LED display is on the connection side.</p> <ul style="list-style-type: none"> - green LED: indication of ready to operate - red LED: fault indication - yellow LED: operating mode indication
Function test	function test with test magnet (optional accessory)
Certificates and approvals	
Sanitary compatibility	EHEDG , see approval (ZE)
Overspill protection	<p>Z-65.11-554 (overspill protection acc. to WHG)</p> <p>Z-65.40-555 (leak detection system acc. to WHG)</p> <p>If you need the approvals also in paper form, select the option WH in the type code.</p>
General information	
Supplementary documentation	<p>technical information (TI)</p> <p>manual (BA)</p> <p>approval (ZE)</p>
Supplementary information	Statement of Conformity, Declaration of Conformity, Attestation of Conformity and instructions have to be observed where applicable. For information see www.pepperl-fuchs.com .
Accessories	
Designation	see technical information (TI)

Release date 2019-03-13 16:00 Date of issue 2019-03-13 275575_eng.xml

Refer to "General Notes Relating to Pepperl+Fuchs Product Information".

Mounting position

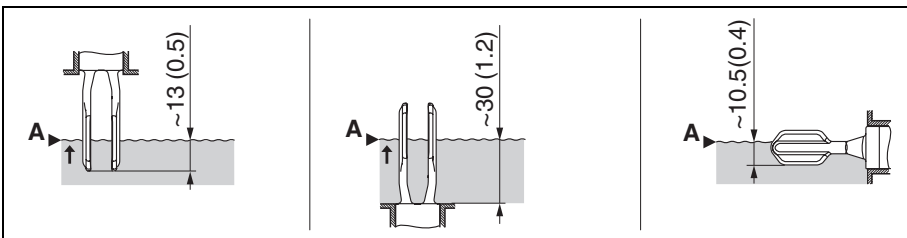
The device can be installed in any position in a vessel, pipe or tank. Foam formation does not affect the function.



- 1 Overfill prevention or upper level detection
- 2 Lower level detection
- 3 Dry running protection for pump

Switch Point

The switch point (A) on the sensor depends on the orientation of the limit switch (water +25 °C (+77 °F), 1 bar (14.5 psi)).



Vertical and horizontal orientation, dimensions in mm (inch)

Release date 2019-03-13 16:00 Date of issue 2019-03-13 275575_eng.xml

Refer to "General Notes Relating to Pepperl+Fuchs Product Information".

Type Code



This overview does not mark options which are mutually exclusive.

*Option with * = on request/in preparation.*

*Option with ** = multiple options can be selected*

Device	
LVL-A7H	Limit switch for liquids

Process temperature	
A	max. 100 °C (212 °F)
B	max. 150 °C (302 °F)

Process connection	
G1	Thread ISO 228 G1/2, 316L
G2	Thread ISO 228 G3/4, 316L, for installation in weld-in adapter (accessory)
G4	Thread ISO 228 G1, 316L, fork length 77.4 mm (compact version) or 116.8 mm (short tube version), for installation in weld-in adapter (accessory)
G7	Thread M24, 316L, for installation in adapter (accessory)
N1	Thread ASME MNPT1/2, 316L
N2	Thread ASME MNPT3/4, 316L
N3	Thread ASME MNPT1, 316L
R4	DIN 11851 DN25 PN40 without slotted nut, 316L
R5	DIN 11851 DN32 PN40 without slotted nut, 316L
R6	DIN 11851 DN40 PN40 without slotted nut, 316L
S1	Rd52, flush-mounted, 316L, without slotted nut, for installation in weld-in adapter (accessory)
T5	Tri-Clamp ISO 2852 DN25-38 (1 to 1-1/2 inch), 316L, DIN 32676 DN25-40
T6	Tri-Clamp ISO 2852 DN40-51 (2 inch), 316L, DIN 32676 DN50
XX	Special version

Sensor type	
C	Compact version 316L, Ra < 1.5 µm
D	Compact version 316L, Ra < 0.76 µm
E	Short tube version 316L, Ra < 1.5 µm
F	Short tube version 316L, Ra < 0.76 µm
X	Special version

Electrical output	
E5	3-wire, 10 to 35 V DC, PNP
WA	2-wire, 19 to 253 V AC/DC

Electrical connection	
PC	Cable 5 m, IP65/68, NEMA 4X/6P
PK	Plug M12, IP66/68/69, NEMA 4X/6P
PN	Valve plug NPT1/2, ISO 4400, IP65, NEMA 4X
PS	Valve plug QUICKON, IP65, NEMA 4X
PU	Valve plug M16, ISO 4400, IP65, NEMA 4X
V1	Plug M12, IP65/67, NEMA 4X
XX	Special version

Approval	
NA	Version for non-hazardous area inclusive approvals as overfill protection and leakage detection system acc. to WHG
CG	CSA General Purpose inclusive approvals as overfill protection and leakage detection system acc. to WHG

Release date 2019-03-13 16:00 Date of issue 2019-03-13 275575_eng.xml

Refer to "General Notes Relating to Pepperl+Fuchs Product Information".

Additional Options

Service **	
S1	Cleaned from oil and grease
S2	Density setting > 0.5 g/cm ²
S3	Switching delay setting
S4	Special service

Test, certificate ***	
S5	Material certificate, wetted metallic parts, EN 10204-3.1 inspection certificate
S6	Final inspection report
XX	Special version

Additional documents	
WH	Enclosed copies of approvals as overfill protection and leakage detection system acc. to WHG

Accessory optional	
PA	Weld-in adapter G3/4, d = 50, 316L, vessel installation
PB	Weld-in adapter G3/4, d = 50, 316L, vessel installation, EN 10204-3.1 inspection certificate
PC	Weld-in adapter G3/4, d = 29, 316L, pipe installation
PD	Weld-in adapter G3/4, d = 29, 316L, pipe installation, EN 10204-3.1 inspection certificate
PE	Weld-in adapter G1, d = 60, 316L, vessel installation
PF	Weld-in adapter G1, d = 60, 316L, vessel installation, EN 10204-3.1 inspection certificate
PG	Weld-in adapter G1, d = 53, 316L, pipe installation
PH	Weld-in adapter G1, d = 53, 316L, pipe installation, EN 10204-3.1 inspection certificate
PM	Weld-in adapter M24, d = 65, 316L, vessel installation
PN	Weld-in adapter M24, d = 65, 316L, vessel installation, EN 10204-3.1 inspection certificate
PO	Weld-in adapter Rd52, 316L, without slotted nut, vessel installation
PQ	Weld-in adapter Rd52, 316L, without slotted nut, vessel installation, EN 10204-3.1 inspection certificate
RA	Process adapter M24 for Varivent N, 316L
RB	Process adapter M24 for Varivent N, 316L, EN 10204-3.1 inspection certificate
RC	Process adapter M24 for Varivent F, 316L
RD	Process adapter M24 for Varivent F, 316L, EN 10204-3.1 inspection certificate
RE	Process adapter M24 for DIN 11851 DN50, with slotted nut, 316L
RF	Process adapter M24 for DIN 11851 DN50, with slotted nut, 316L, EN 10204-3.1 inspection certificate
RG	Process adapter M24 for SMS1-1/2, with slotted nut, 316L
RH	Process adapter M24 for SMS1-1/2, with slotted nut, 316L, EN 10204-3.1 inspection certificate
RM	Slotted nut DIN 11851 F25, 304
RN	Slotted nut DIN 11851 F32, 304
RT	Slotted nut DIN 11851 F40, 304
RW	Socket plug M12, elbowed 90 °, IP69, 5 m cable, slotted nut 316L
RX	Socket plug M12 with LED, elbowed 90 °, IP69, 5 m cable, slotted nut 316L
RZ	Socket plug M12, elbowed 90 °, IP67, 5 m cable, slotted nut Cu Sn/Ni
R1	Socket plug M12, IP67, slotted nut Cu Sn/Ni
R5	Assembly socket wrench
ST	Test magnet
SZ	Special version

Marking	
S9	Tagging (TAG), see additional specifications

Release date 2019-03-13 16:00 Date of issue 2019-03-13 275575_eng.xml

Refer to "General Notes Relating to Pepperl+Fuchs Product Information".