

SITOR FUSE-LINK 40A,AC 1000V (DIN 43620,SIZE 0)



Similar to image

Technical data:

Current / for AC / rated value	A	40
Size of the fallback-system / acc. to DIN EN 60269-1		NH0
Supply voltage		
• for AC / rated value	V	1,000
• for DC	V	250
Switching capacity current		
• in accordance with IEC 60947-2 / rated value	kA	71
Design of an identification indicator		others
Ambient temperature	°C	-20 ... +50
Varying load factor (WL)		0.9

Certificates/approvals:

General Product Approval

Declaration of Conformity



Further information:

Information- and Downloadcenter (Catalogs, Brochures,...)

<http://www.siemens.com/lowvoltage/catalogs>

Industry Mall (Online ordering system)

<http://www.siemens.com/lowvoltage/mall>

Service&Support (Manuals, Certificates, Characteristics, FAQs,...)

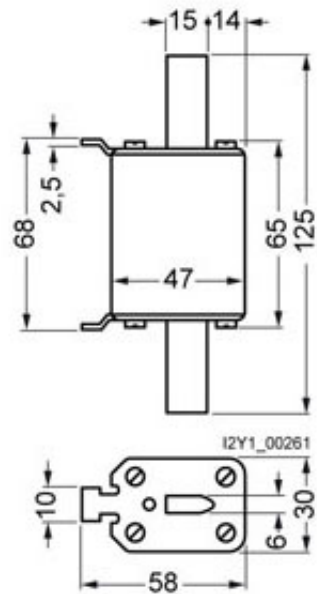
<http://support.automation.siemens.com/WW/view/en/3NE4102/all>

Image database (product images, 2D dimension drawings, 3D models, device circuit diagrams, ...)

http://www.automation.siemens.com/bilddb/cax_en.aspx?mlfb=3NE4102

CAX-Online-Generator

<http://www.siemens.com/cax>



last change:

Feb 15, 2013