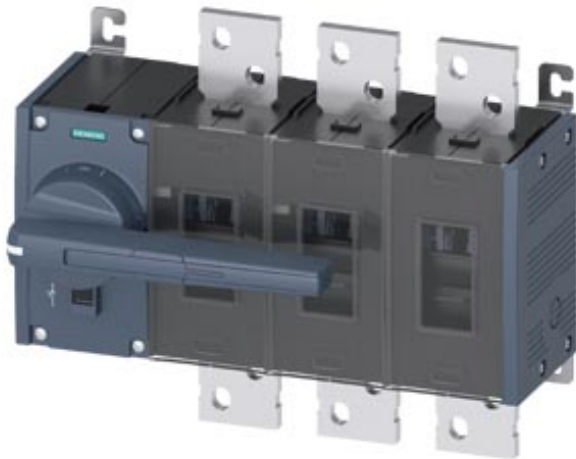


Switch disconnecter 1600 A, Size 5, 3-pole Front operating mechanism left Complete unit with direct operating mechanism gray flat terminal



Model	
product brand name	SENTRON
product designation	3KD switch disconnecter
design of the product	Switch
display version / for switch position indicator manual operation	ON-OFF-TEST
design of the operating mechanism	Long rotary knob
type of the driving mechanism	Front operating mechanism
type of the driving mechanism / motor drive	No
General technical data	
number of poles	3
type of device	fixed mounting
size of switch disconnecter	5
electrical endurance (switching cycles)	
• at DC-21 A / at 1000 V	100
• at AC-23 A / at 690 V	500
• at DC-23 A / at 440 V	500

<ul style="list-style-type: none"> • I2t value / with closed switch / at 1000 V / for combination switch +gG/aM SITOR fuse / maximum 	3 492 000 A ² ·s
<ul style="list-style-type: none"> • I2t value / of the fuse / at 500 V / maximum permissible 	34 800 000 A ² ·s
<ul style="list-style-type: none"> • I2t value / of the gG/aM SITOR fuse / at 1000 V / maximum permissible 	1 800 000 A ² ·s
mechanical service life (switching cycles) / typical	8 000
position / of the switch operating mechanism	at the left end
overvoltage in percent / relative to the operating voltage / at AC / at 400, 500, 690 V / at 50/60 Hz	10 %
overvoltage category	IV
degree of pollution	3

Voltage	
operating voltage / with current paths in series	
<ul style="list-style-type: none"> • with degree of pollution 2 / at DC / rated value 	440 V / 3
<ul style="list-style-type: none"> • with degree of pollution 3 / at DC / rated value 	440 V / 3
insulation voltage	
<ul style="list-style-type: none"> • rated value 	1 000 V
surge voltage resistance / rated value	12 kV

Supply voltage	
operating current / at AC / rated value	1 600 A
operating voltage	
<ul style="list-style-type: none"> • at AC / at 50/60 Hz / rated value 	1 000 V

Protection class	
protection class IP	IP00
protection class IP	
<ul style="list-style-type: none"> • with closed switch / with cover or cable lug cover 	IP20
<ul style="list-style-type: none"> • on the front 	IP00

Dissipation	
power loss [W]	
<ul style="list-style-type: none"> • with conventional rated thermal current / per pole 	57 W
<ul style="list-style-type: none"> • with conventional rated thermal current / per device 	171 W
<ul style="list-style-type: none"> • for rated value of the current / at AC / in hot operating state / per pole 	57 W

Current	
<ul style="list-style-type: none"> • operating current / at AC-23 A / at 690 V / rated value 	1 600 A

• operating current / at AC-23 A / at 500 V / rated value	1 600 A
• operating current / at AC-23 A / at 400 V / rated value	1 600 A
• operating current / at AC-22 A / at 690 V / rated value	1 600 A
• operating current / at AC-22 A / at 500 V / rated value	1 600 A
• operating current / at AC-22 A / at 400 V / rated value	1 600 A
• operating current / at AC-20 A / at 1000 V / maximum	1 600 A
• operating current / at AC-21 A / at 400 V / rated value	1 600 A
• operating current / at AC-21 A / at 500 V / rated value	1 600 A
• operating current / at AC-21 A / at 690 V / rated value	1 600 A
• operating current / at AC-23 A / at 500 V / at 50/60 Hz / rated value / maximum	1 600 A
• operating current / at AC-22 A / at 500 V / at 50/60 Hz / rated value / maximum	1 600 A
• operating current / at AC-22 A / at 400 V / at 50/60 Hz / rated value / maximum	1 600 A
• operating current / at AC-22 A / at 690 V / at 50/60 Hz / rated value / maximum	1 600 A
• operating current / at AC-23 A / at 400 V / at 50/60 Hz / rated value / maximum	1 600 A
• operating current / at AC-23 A / at 690 V / at 50/60 Hz / rated value / maximum	1 600 A
• operating current / at DC-20 A / at 1000 V / maximum	1600 A / 1
• operating current / at DC-21 A / at 440 V / rated value / note	1600 A / 3
• operating current / at DC-21 A / at 220 V / rated value	1600 A / 2
<hr/>	
continuous current	
• rated value	1 600 A
• at 40 °C / rated value	1 600 A
• at 45 °C / rated value	1 600 A
• at 50 °C / rated value	1 600 A
• at 55 °C / rated value	1 600 A
• at 60 °C / rated value	1 250 A
• at 65 °C / rated value	1 250 A

<ul style="list-style-type: none"> • at 70 °C / rated value 	1 250 A
continuous current / of upstream fuse / at 500 V and 690 V / rated value	2 000 A
continuous current / of upstream fuse / at 1000 V / rated value	1 890 A
operating current / at DC / rated value	1 600 A
let-through current / of the fuse / at 500 V / maximum permissible	176 400 A
let-through current / of the gG fuse / at 690 V / maximum permissible	164 400 A
let-through current / of the gG/aM SITOR fuse / at 1000 V / maximum permissible	87 000 A

Main circuit	
operating power	
<ul style="list-style-type: none"> • at AC-23 A / at 400 V / at 50/60 Hz / rated value 	900 kW
<ul style="list-style-type: none"> • at AC-23 A / at 500 V / rated value 	1 000 kW
<ul style="list-style-type: none"> • at AC-23 A / at 690 V / at 50/60 Hz / rated value 	1 000 kW
operating current / rated value	1 600 A

Auxiliary circuit	
number of connected NC contacts / for auxiliary contacts	0
number of connected NO contacts / for auxiliary contacts	0
number of connected CO contacts / for auxiliary contacts	0
number of CO contacts / for auxiliary contacts	0
number of NC contacts / for auxiliary contacts	8
number of NO contacts / for auxiliary contacts	8

Suitability	
suitability for use	
<ul style="list-style-type: none"> • main switch 	Yes
<ul style="list-style-type: none"> • switch disconnecter 	Yes
<ul style="list-style-type: none"> • EMERGENCY OFF switch 	No
<ul style="list-style-type: none"> • safety switch 	Yes
<ul style="list-style-type: none"> • maintenance/repair switch 	Yes

Product details	
product feature / interlock	Yes
product component	
<ul style="list-style-type: none"> • trip indicator 	No
<ul style="list-style-type: none"> • voltage trigger 	No
<ul style="list-style-type: none"> • undervoltage release 	No
<ul style="list-style-type: none"> • undervoltage release with leading contact 	No

product extension / auxiliary switch	Yes
product extension / optional	
• motor drive	No
• voltage trigger	No

Short circuit

short-time withstand current (I _{cw}) / at AC 1000 V/DC 440 V / limited to 1 s / rated value	55 kA
short-circuit current making capacity (I _{cm})	
• for switch disconnecter / at 1000 V AC / without fuse link / rated value / minimum	121 kA
• for switch disconnecter / at DC 440 V / without fuse link / rated value / minimum	80 kA
• for switch disconnecter / without fuse link / rated value / minimum	121 kA
conditional short-circuit current / with line-side fuse protection	
• at 500 V / by gG fuse / rated value	100 kA
• at 690 V / by gG fuse / rated value	100 kA

Connections

type of connectable conductor cross-sections / for aluminum conductor	
• stranded / with lug	1x (120 ... 300 mm ²), 2x (95 ... 300 mm ²)
type of connectable conductor cross-sections	
• for copper busbar	'2 x (60 x 10 mm ²)
type of connectable conductor cross-sections / for copper conductor	
• stranded / with lug / acc. to DIN 46235	1x (120 ... 240 mm ²), 2x (95 ... 240 mm ²)
type of electrical connection	
• for main current circuit	flat connector

Mechanical Design

height	310 mm
width	382 mm
depth	212.5 mm
mounting type	screw fixing
mounting type	
• front mounting with 4-hole attachment	No
• front mounting with central attachment	No
• rail mounting	No
mounting position	any
net weight	17 340 g

Environmental conditions

ambient temperature / during operation	
--	--

<ul style="list-style-type: none"> • minimum • maximum 	<p>-25 °C</p> <p>70 °C</p>
ambient temperature / during storage	
<ul style="list-style-type: none"> • minimum • maximum 	<p>-50 °C</p> <p>80 °C</p>

Certificates

reference code	
<ul style="list-style-type: none"> • acc. to DIN EN 61346-2 • acc. to DIN EN 81346-2 	<p>Q</p> <p>Q</p>

General Product Approval	Declaration of Conformity	Shipping Approval	other
--------------------------	---------------------------	-------------------	-------



[Miscellaneous](#)



[Miscellaneous](#)

Further information

Information- and Downloadcenter (Catalogs, Brochures,...)

<http://www.siemens.com/lowvoltage/catalogs>

Industry Mall (Online ordering system)

<https://mall.industry.siemens.com/mall/en/en/Catalog/product?mlfb=3KD5432-0RE10-0>

Service&Support (Manuals, Certificates, Characteristics, FAQs,...)

<https://support.industry.siemens.com/cs/ww/en/ps/3KD5432-0RE10-0>

Image database (product images, 2D dimension drawings, 3D models, device circuit diagrams, ...)

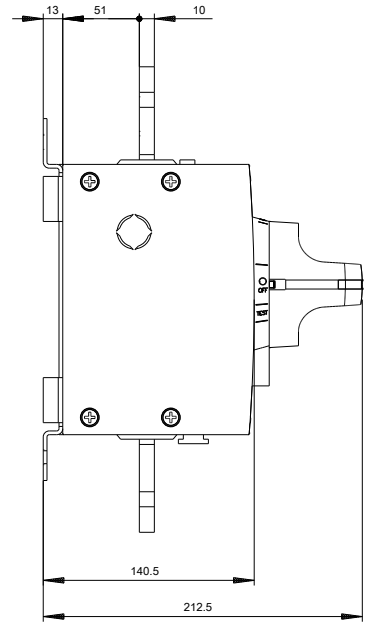
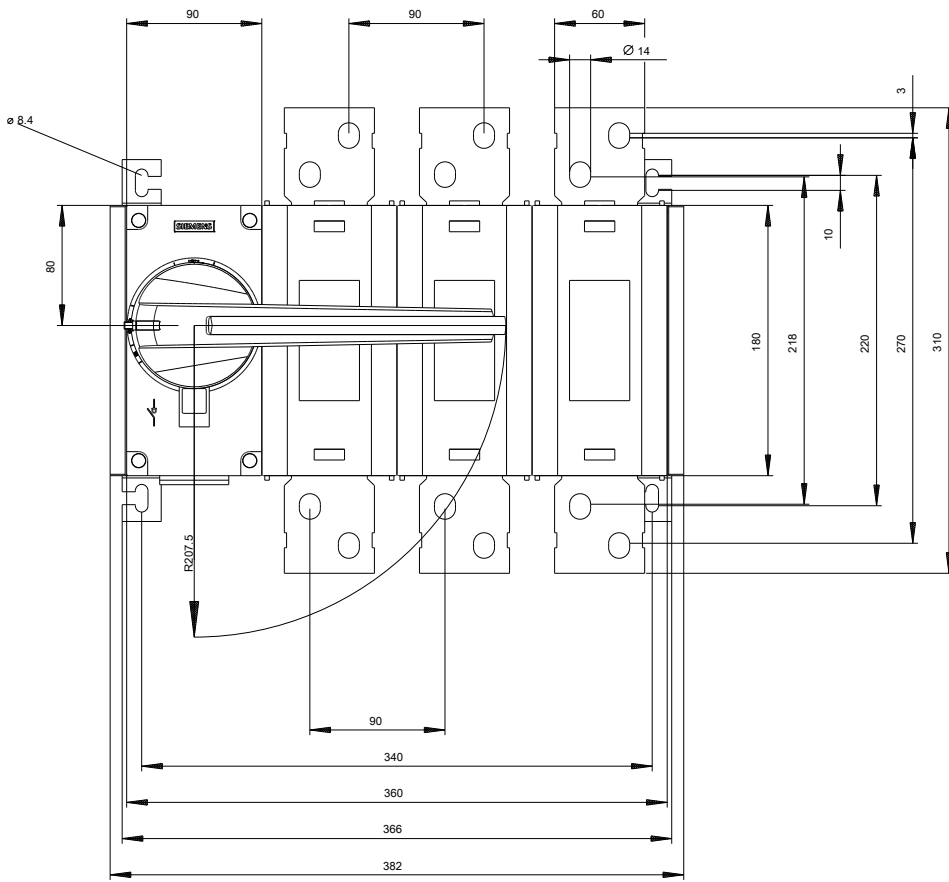
http://www.automation.siemens.com/bilddb/cax_en.aspx?mlfb=3KD5432-0RE10-0

CAX-Online-Generator

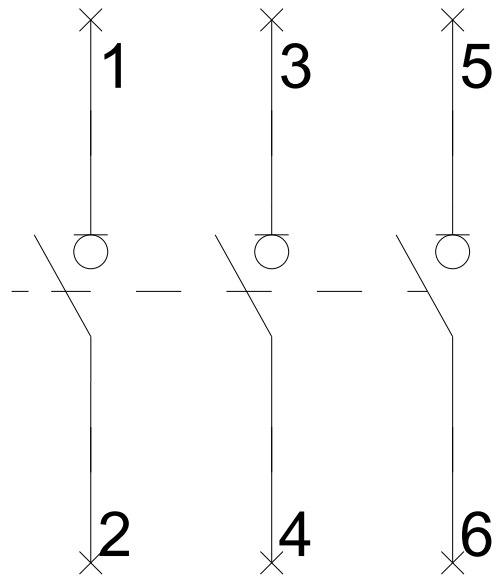
<http://www.siemens.com/cax>

Tender specifications

<http://www.siemens.com/specifications>



-Q



-CR

