



Photoelectric sensors  
W100, Photoelectric retro-reflective sensor,  
Standard optics

WL100-N1429



**Model Name** > [WL100-N1429](#)  
**Part No.** > [6027661](#)



*Illustration may differ*

**At a glance**

- Standard miniature housing with M3 threaded mounting holes
- Optics with standard red LED or bright light LED
- Polarizing filter
- Light/dark switching and sensitivity adjustment via rotary switch possible
- All necessary accessories (BEF-W100-A and P250) are included with delivery (depending on type)

**Your benefits**

- Highly visible light spot simplifies alignment
- Less contamination due to high optical operating reserve
- Polarization filter allows reliable detection of objects with shiny surfaces and prevents false switching
- M3 threaded mounting holes provide easy installation
- Variants available for reliably detecting clear materials, min. attenuation 20 %
- All necessary accessories (bracket and reflector) are included with delivery, reducing installation and procurement costs (depending on type)



**Features**

Sensor/detection principle:	Photoelectric retro-reflective sensor, Standard optics
Dimensions (W x H x D):	11 mm x 31 mm x 20 mm
Housing design (light emission):	Rectangular, Slim
Sensing range max.:	0.01 m ... 3 m <sup>1)</sup>
Sensing range:	0.01 m ... 2.6 m <sup>2)</sup>
Type of light:	Visible red light
Light source:	LED <sup>3)</sup>
Wave length:	680 nm
Light spot diameter (distance):	Ø 200 mm (2 m)
Sensitivity adjustment:	Potentiometer, 270°
Angle of dispersion:	Ca. 4 °
Focus adjustable:	-

<sup>1) 2)</sup> PL80A <sup>3)</sup> Average service life of 100,000 h at T<sub>A</sub> = +25 °C

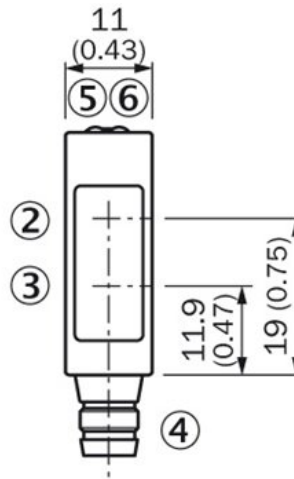
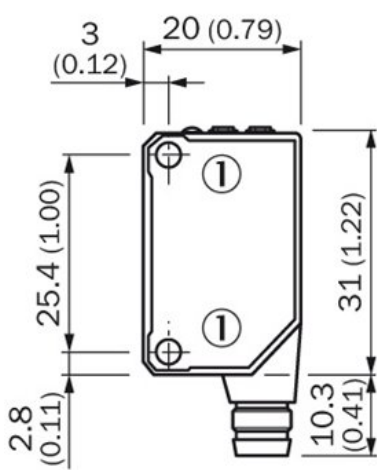
**Mechanics/electronics**

Supply voltage:	10 V DC ... 30 V DC <sup>1)</sup>
Ripple:	± 10 % <sup>2)</sup>

Power consumption:	≤ 30 mA <sup>3)</sup>
Output type:	NPN, Light/dark-switching, manually selectable, open collector
Signal voltage NPN HIGH/LOW:	Approx. $V_S / < 1.8 V$
Output current I <sub>max.</sub> :	100
Response time:	≤ 0.5 ms <sup>4)</sup>
Switching frequency:	1,000 <sup>5)</sup>
Attenuation along light beam:	> 20 %
Connection type:	Cable, 3-wire, 2 m <sup>6)</sup>
Cable material:	PVC
Conductor cross-section:	0.18 mm <sup>2</sup>
Circuit protection:::	A, B, D <sup>7) 8) 9)</sup>
Weight:	53 g
Polarisation filter:	✓
Housing material:	ABS/PC/POM
Optics material:	PMMA
Enclosure rating:	IP 65
Items supplied:	Stainless steel mounting bracket (1.4301/304) BEF-W100-A, Reflector P250
Special feature:	For transparent objects
Ambient operating temperature:	-25 °C ... 55 °C
Ambient storage temperature:	-40 °C ... 70 °C

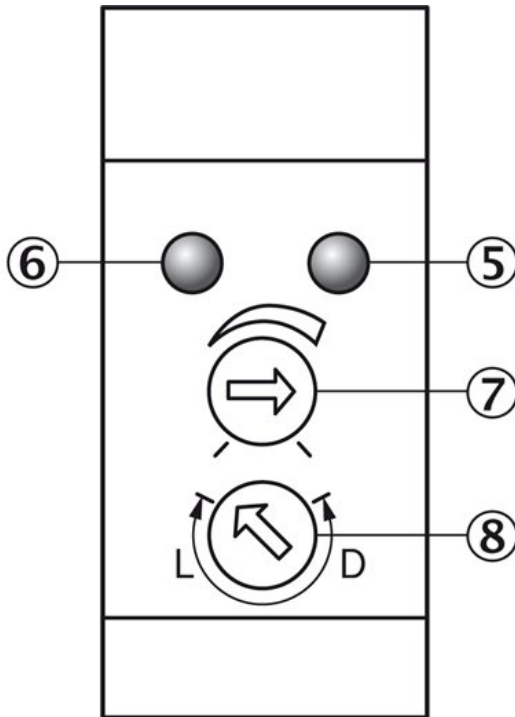
<sup>1)</sup> Limit values, operation in short-circuit protected network max. 8 A <sup>2)</sup> May not exceed or fall short of  $V_S$  tolerances <sup>3)</sup> Without load <sup>4)</sup> Signal transit time with resistive load <sup>5)</sup> With light/dark ratio 1:1 <sup>6)</sup> Do not bend below 0 °C <sup>7)</sup> A =  $V_S$  connections reverse-polarity protected <sup>8)</sup> B = inputs and output reverse-polarity protected <sup>9)</sup> D = outputs overcurrent and short-circuit protected

## Dimensional drawing



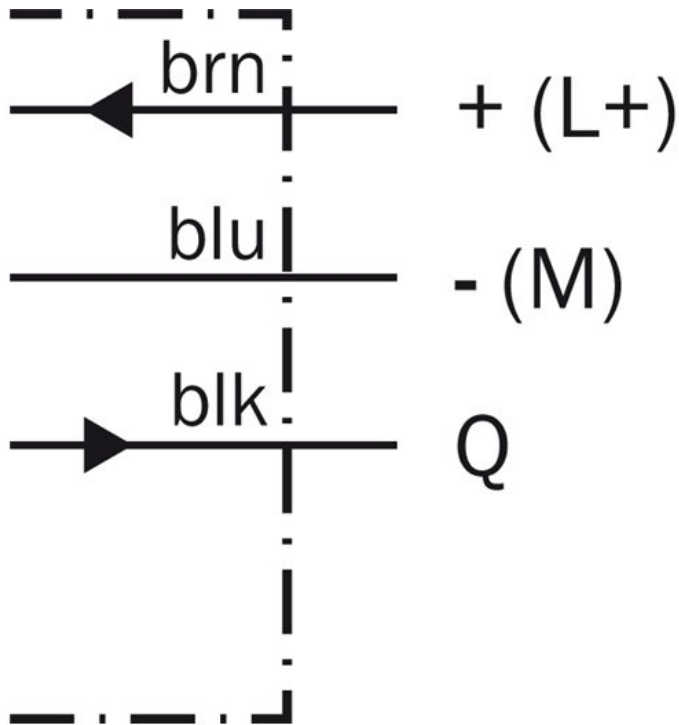
- |1| Threaded mounting hole M3
- |2| Center of optical axis, receiver
- |3| Center of optical axis, sender
- |4| Connection
- |5| LED indicator orange: switching output active
- |6| LED indicator green: stability indicator

## Adjustments possible

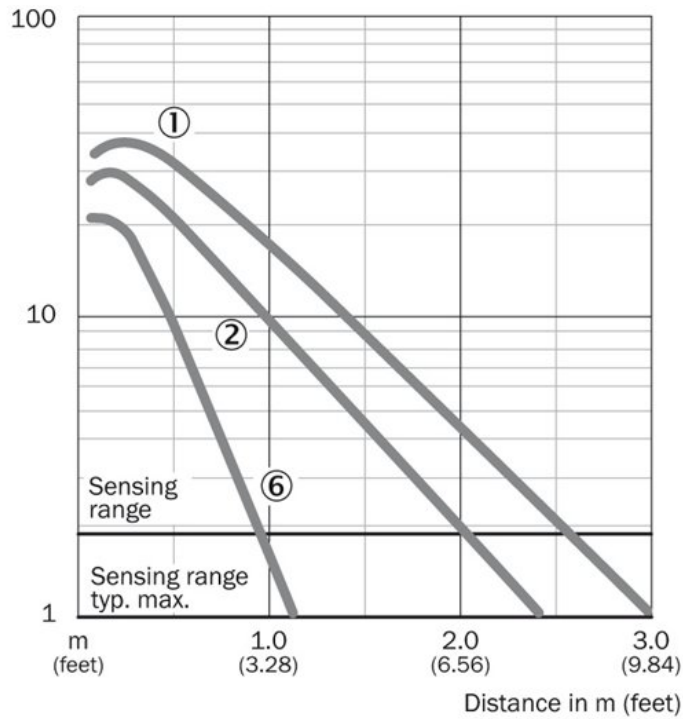


- |5| LED indicator orange: switching output active
- |6| LED indicator green- power on
- |7| Sensing range adjustment: potentiometer, 270°
- |8| Light/ dark rotary switch L = light switching, D = dark switching

Connection diagram

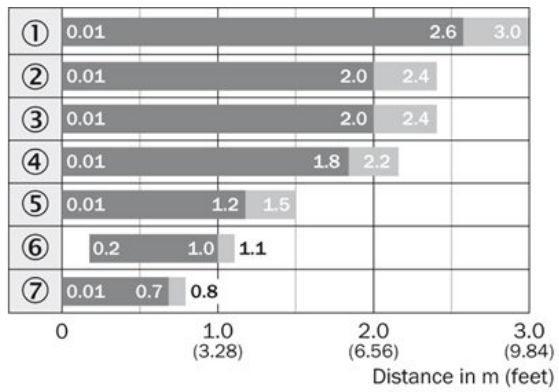


Characteristic curve



- [1] PL80A
- [2] P250
- [6] Reflective tape Diamond Grade

## Sensing range diagram



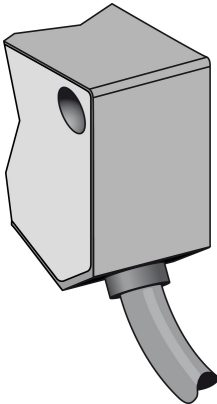
■ Sensing range                      ■ Sensing range typ. max.

### Reflector type

- ① PL80A
- ② P250
- ③ PL50A/PL40A
- ④ PL30A/PL31A
- ⑤ PL20A
- ⑥ Reflective tape Diamond Grade
- ⑦ P45

- |1| PL80A
- |2| P250
- |3| PL50A, PL40A
- |4| PL30A, PL31A
- |5| PL20A
- |6| Reflective tape Diamond Grade
- |7| P45

## Connection type



**Australia**

Phone +61 3 9457 0600  
1800 334 802 – tollfree  
E-Mail sales@sick.com.au

**Belgium/Luxembourg**

Phone +32 (0)2 466 55 66  
E-Mail info@sick.be

**Brasil**

Phone +55 11 3215-4900  
E-Mail sac@sick.com.br

**Canada**

Phone +1 905 771 14 44  
E-Mail information@sick.com

**Ceská Republika**

Phone +420 2 57 91 18 50  
E-Mail sick@sick.cz

**China**

Phone +86 4000 121 000  
E-Mail info.china@sick.net.cn  
Phone +852-2153 6300  
E-Mail ghk@sick.com.hk

**Danmark**

Phone +45 45 82 64 00  
E-Mail sick@sick.dk

**Deutschland**

Phone +49 211 5301-301  
E-Mail kundenservice@sick.de

**España**

Phone +34 93 480 31 00  
E-Mail info@sick.es

**France**

Phone +33 1 64 62 35 00  
E-Mail info@sick.fr

**Great Britain**

Phone +44 (0)1727 831121  
E-Mail info@sick.co.uk

**India**

Phone +91-22-4033 8333  
E-Mail info@sick-india.com

**Israel**

Phone +972-4-6801000  
E-Mail info@sick-sensors.com

**Italia**

Phone +39 02 27 43 41  
E-Mail info@sick.it

**Japan**

Phone +81 (0)3 3358 1341  
E-Mail support@sick.jp

**Magyarország**

Phone +36 1 371 2680  
E-Mail office@sick.hu

**Nederlands**

Phone +31 (0)30 229 25 44  
E-Mail info@sick.nl

**Norge**

Phone +47 67 81 50 00  
E-Mail austefjord@sick.no

**Österreich**

Phone +43 (0)22 36 62 28 8-0  
E-Mail office@sick.at

**Polska**

Phone +48 22 837 40 50  
E-Mail info@sick.pl

**România**

Phone +40 356 171 120  
E-Mail office@sick.ro

**Russia**

Phone +7-495-775-05-30  
E-Mail info@sick.ru

**Schweiz**

Phone +41 41 619 29 39  
E-Mail contact@sick.ch

**Singapore**

Phone +65 6744 3732  
E-Mail admin@sicksgp.com.sg

**Slovenija**

Phone +386 (0)1-47 69 990  
E-Mail office@sick.si

**South Africa**

Phone +27 11 472 3733  
E-Mail info@sickautomation.co.za

**South Korea**

Phone +82 2 786 6321/4  
E-Mail info@sickkorea.net

**Suomi**

Phone +358-9-25 15 800  
E-Mail sick@sick.fi

**Sverige**

Phone +46 10 110 10 00  
E-Mail info@sick.se

**Taiwan**

Phone +886-2-2375-6288  
E-Mail sales@sick.com.tw

**Türkiye**

Phone +90 (216) 528 50 00  
E-Mail info@sick.com.tr

**United Arab Emirates**

Phone +971 (0) 4 8865 878  
E-Mail info@sick.ae

**USA/México**

Phone +1(952) 941-6780  
1 800-325-7425 – tollfree  
E-Mail info@sickusa.com

More representatives and agencies  
at [www.sick.com](http://www.sick.com)