



FUSE-SWITCH-DISCONNECTOR 3-POLE, NH00,  
160A MOUNTING PLATE CONSTRUCTION COVER LEVEL  
45 MM FLAT CONNECTOR

Similar to image

General technical details:

<b>Type from device</b>		Auf- und Einbau
<b>mounting position</b>		waagrecht oder senkrecht
<b>Width</b>	mm	105.8
<b>Height</b>	mm	202
<b>Depth</b>	mm	86.5
<b>Continuous current</b>		
• at 40 °C / rated value	A	155
• at 45 °C / rated value	A	145
• at 50 °C / rated value	A	140
• at 55 °C / rated value	A	133
<b>Operational current</b>		
• at AC-21 B		
• at 400 V / rated value	A	160
• at 500 V / rated value	A	160
• at 690 V / rated value	A	160
• at AC-22 B / at 400 V / rated value	A	160
<b>Rated current I<sub>e</sub> / maximum / in utilization category</b>		
• AC-22 B		

• at 500 V	A	160
• at 690 V	A	125
• AC-23 B		
• at 400 V	A	160
• at 500 V	A	63
• at 690 V	A	35
• Capacitor		
• at 400 V	A	72
• at 500 V	A	55
<b>Operational current</b>		
• at DC-21 B		
• at 240 V / rated value / maximum	A	160
• at 440 V / rated value / maximum	A	160
• at DC-22 B		
• at 240 V / rated value / maximum	A	160
• at 440 V / rated value / maximum	A	125
• at DC-23 B		
• at 240 V / rated value / maximum	A	100
• at 440 V / rated value / maximum	A	63
<b>Conditional short-circuit current (I<sub>q</sub>)</b>		
• at 500 V / with AC / with speedy activation / rated value	kA	80
• at 690 V / with AC / with speedy activation / rated value	kA	80
• with closed switch		
• at 500 V / with AC / rated value	kA	120
• at 690 V / with AC / rated value	kA	120
<b>Operating voltage / for DC / rated value</b>	V	440
<b>Insulation voltage / rated value</b>	V	690
<b>Impulse voltage resistance / rated value</b>	kV	8
<b>Tension d'emploi</b>		
• sous AC		
• rated value	/ V	690
• for DC		
• rated value	/ V	440
<b>Power factor</b>		
• at AC-21 B		0.95
• at AC-22 B		0.65
• at AC-23 B		0.45
• with capacitive load		-0.25
<b>I<sup>2</sup>t value / with closed switch / maximum permissible</b>	kA <sup>2</sup> ·s	158
<b>Let-through current</b>		

• with speedy activation / maximum permissible	kA	15
• with closed switch / maximum permissible	kA	23
<b>Design of the load switch / Strip form</b>		No
<b>Fuse system</b>		LV HRC fuse
<b>Installation size of fuse-link</b>		NH000, NH00
<b>Installation size of disconnecting link</b>		00 and 000
<b>Active power loss / maximum</b>	W	12
<b>Product expansion / optional / fuse monitoring</b>		Yes
<b>Product component / phase failure monitoring</b>		No
<b>Product extension / optional</b>		
• phase failure monitoring		Yes
• voltage trigger		No
• overvoltage protection monitoring		Yes
• locking capability		Yes
<b>Product component</b>		
• undervoltage release mechanism		No
• undervoltage release with leading contact		No
<b>Product function / overvoltage protection monitoring</b>		No
<b>Product feature / sealable</b>		Yes
<b>Type of the driving mechanism / motor drive</b>		No
<b>Design of the electrical connection / for main current circuit</b>		flat connector
<b>Arrangement of electrical connectors / for main current circuit</b>		sonstige
<b>Conductor cross-section that can be connected / for main contacts</b>		
• solid	mm <sup>2</sup>	2.5 ... 95
• stranded	mm <sup>2</sup>	2.5 ... 95
<b>Tightening torque</b>		
• with screw-type terminals	N·m	10 ... 12
<b>Product extension / auxiliary switch</b>		Yes
<b>Number of NC contacts / for auxiliary contacts</b>		0
<b>Number of NO contacts / for auxiliary contacts</b>		0
<b>Number of change-over switches / for auxiliary contacts</b>		0
<b>Acceptability for application</b>		
• switch disconnecter		Yes
• emergency stop switch		No
• main switch		No
• safety cut-out switch		Yes
• maintenance/repair switch		Yes
<b>Type of mounting</b>		
• Rail installation		No

• front mounting	No
• floor mounting	Yes
<b>IP degree of protection</b>	
• open	IP20
• with closed switch	
• without cover or cable lug cover	IP30
• with cover or cable lug cover	IP40
<b>Degree of pollution</b>	3
<b>Mechanical operating cycles as operating time / typical</b>	2,000
<b>Item designation / according to DIN EN 61346-2</b>	Q

#### Ambient conditions:

##### Ambient temperature

• during operating	°C	-25 ... +55
• during storage	°C	-50 ... +80

#### Certificates/approvals:

##### General Product Approval



CB



CCC



GOST



UL



EG-Konf.

##### Declaration of Conformity

##### Test Certificates

[Special Test Certificate](#)

[Type Test Certificates/Test Report](#)

##### Shipping Approval



DNV



GL



LRS

#### Further information:

##### Information- and Downloadcenter (Catalogs, Brochures,...)

<http://www.siemens.com/lowvoltage/catalogs>

##### Industry Mall (Online ordering system)

<http://www.siemens.com/lowvoltage/mall>

##### Service&Support (Manuals, Certificates, Characteristics, FAQs,...)

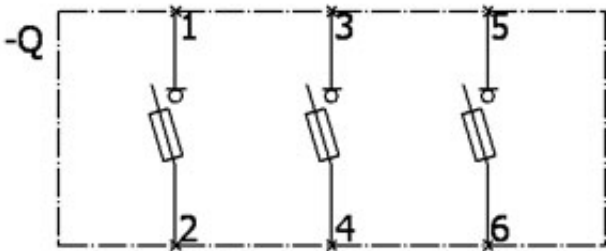
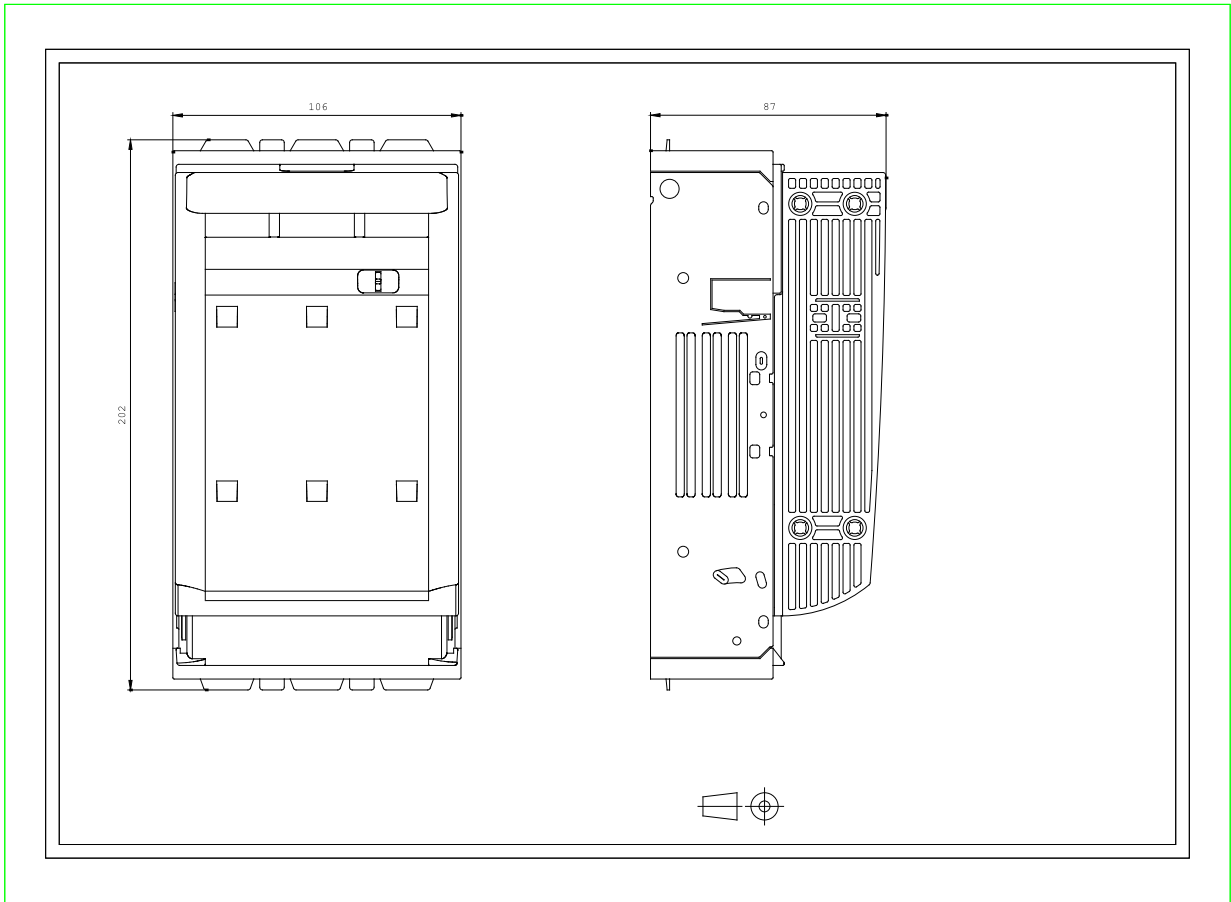
<http://support.automation.siemens.com/WWW/view/en/3NP1133-1CA10/all>

##### Image database (product images, 2D dimension drawings, 3D models, device circuit diagrams, ...)

[http://www.automation.siemens.com/bilddb/cax\\_en.aspx?mlfb=3NP1133-1CA10](http://www.automation.siemens.com/bilddb/cax_en.aspx?mlfb=3NP1133-1CA10)

##### CAX-Online-Generator

<http://www.siemens.com/cax>



last change:

Nov 2, 2012