



Photoelectric sensors  
W4S-3 Inox Hygiene, Photoelectric proximity  
sensor, Background suppression

WTB4SC-3P3262H



**Model Name** > [WTB4SC-3P3262H](#)  
**Part No.** > [1048108](#)



*Illustration may differ*

**At a glance**

- Hygienic designed stainless steel housing and accessories (316L/1.4404)
- Hygienic mounting using M12-adapter thread or D12-adapter shaft
- IP 66, IP 67, IP 68 and IP 69K enclosure rating and Ecolab certified
- Resistant to a variety of common cleaning and disinfection agents
- Best background and extraneous light suppression in its class with OES3 technology and two emitter LED's
- Stainless steel teach-in pushbutton with a metal membrane
- Flexible sensing ranges and hysteresis settings
- Key lock function, remote teach, quality monitoring

**Your benefits**

- Smooth hygienic housing and accessories with no grooves or crevices eliminates the potential for bacteria to grow, providing a more hygienic solution.
- Long service life in harsh conditions ensures less downtime and fewer replacement costs
- OES3 technology and special optical design ensures reliable detection of objects at an extended range which ensures less machine downtime caused by faulty switching
- Easy adjustment via a stainless steel metal membrane teach-in pushbutton
- Quick and easy format adjustment
- Easy monitoring of sensor status
- Key lock function and parameter download prevent incorrect settings
- Simple sensor cloning



**Features**

Sensor/detection principle:	Photoelectric proximity sensor, Background suppression
Dimensions (W x H x D):	15.25 mm x 49.2 mm x 22.15 mm
Housing design:	Hygiene
Housing design (light emission):	Rectangular, Slim
Sensing range max.:	3 mm ... 500 mm <sup>1)</sup>
Sensing range:	10 mm ... 350 mm <sup>2)</sup>
Type of light:	Visible red light
Light source:	PinPoint LED <sup>3)</sup>
Wave length:	650 nm

Teach-in: Single teach-in button

Adjustment: Teach-in

Light spot size (distance): Ø 6.5 mm (150 mm)

<sup>1) 2)</sup> Object with 90 % reflectance (referred to standard white DIN 5033) <sup>3)</sup> Average service life of 100,000 h at T<sub>A</sub> = +25 °C <sup>4)</sup> External teach-in: pulse > 2 s with

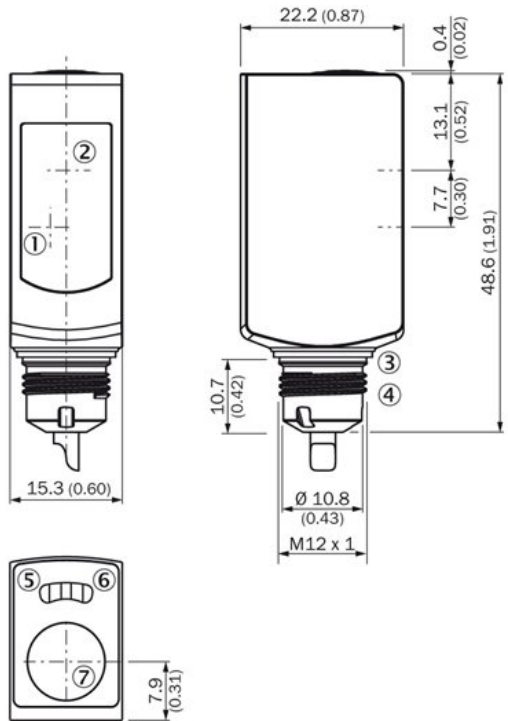
voltage Uv with PNP and M with NPN

## Mechanics/electronics

Supply voltage: 10 V DC ... 30 V DC <sup>1)</sup>  
Ripple: < 5 Vpp <sup>2)</sup>  
Power consumption: ≤ 30 mA <sup>3)</sup>  
Output type: PNP  
Switching mode: Light/dark-switching  
Output current I<sub>max.</sub>: ≤ 100 mA  
Response time: < 0.5 ms <sup>4)</sup>  
Switching frequency: 1,000 Hz <sup>5)</sup>  
Connection type: Cable with connector M8, 4-pin, 150 mm <sup>6)</sup>  
Cable material: PVC  
Circuit protection::: A  
B 7) 8) 9)  
C  
Protection class: III  
Weight: 50 g  
IO-Link: -  
Housing material: Stainless steel, Stainless steel 316L  
Enclosure rating: IP 66  
IP 67  
IP 68  
IP 69K  
Description: IO-Link  
Ambient operating temperature: -30 °C ... 60 °C, -30 °C ... 70 °C <sup>10)</sup>  
Ambient storage temperature: -30 °C ... 75 °C  
UL File No.: FDA, UL No. NRKH.E181493 & cUL No. NRKH7.E181493

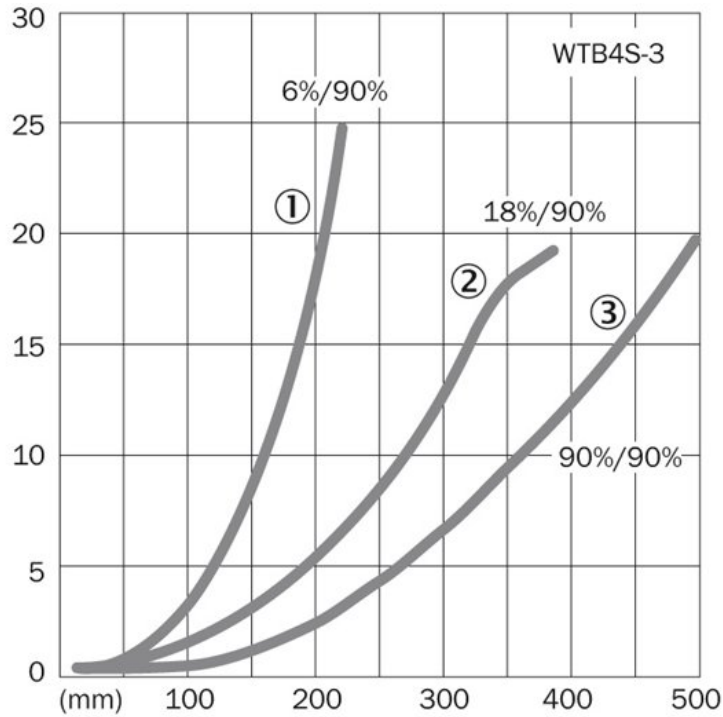
<sup>1)</sup> Limit values, reverse-polarity protected, operation in short-circuit protected network, max. 8 A <sup>2)</sup> May not exceed or fall short of V<sub>S</sub> tolerances <sup>3)</sup> Without load <sup>4)</sup>  
Signal transit time with resistive load <sup>5)</sup> With light/dark ratio 1:1 <sup>6)</sup> Do not bend below 0 °C <sup>7)</sup> A = V<sub>S</sub> connections reverse-polarity protected <sup>8)</sup> B = inputs and output  
reverse-polarity protected <sup>9)</sup> C = interference suppression <sup>10)</sup> At UV ≤ 24 V and IA < 30 mA

## Dimensional drawing

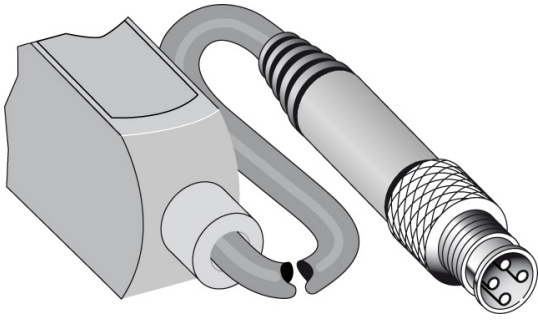


- |1| Center of optical axis, receiver
- |2| Center of optical axis, sender
- |3| gasket (tightening torque 6Nm)
- |4| Connector M12
- |5| Status indicator LED,  
yellow: Status of received light beam
- |6| Status indicator LED green: power on
- |7| Teach-in button

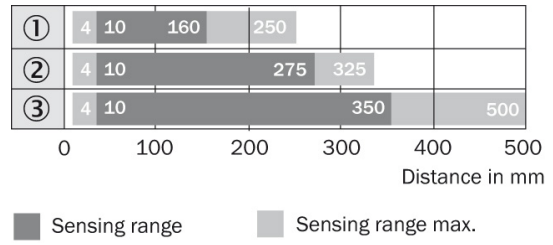
## Characteristic curve



## Connection type



## Sensing range diagram



**Australia**

Phone +61 3 9457 0600  
1800 334 802 – tollfree  
E-Mail sales@sick.com.au

**Belgium/Luxembourg**

Phone +32 (0)2 466 55 66  
E-Mail info@sick.be

**Brasil**

Phone +55 11 3215-4900  
E-Mail sac@sick.com.br

**Canada**

Phone +1 905 771 14 44  
E-Mail information@sick.com

**Ceská Republika**

Phone +420 2 57 91 18 50  
E-Mail sick@sick.cz

**China**

Phone +86 4000 121 000  
E-Mail info.china@sick.net.cn  
Phone +852-2153 6300  
E-Mail ghk@sick.com.hk

**Danmark**

Phone +45 45 82 64 00  
E-Mail sick@sick.dk

**Deutschland**

Phone +49 211 5301-301  
E-Mail kundenservice@sick.de

**España**

Phone +34 93 480 31 00  
E-Mail info@sick.es

**France**

Phone +33 1 64 62 35 00  
E-Mail info@sick.fr

**Great Britain**

Phone +44 (0)1727 831121  
E-Mail info@sick.co.uk

**India**

Phone +91-22-4033 8333  
E-Mail info@sick-india.com

**Israel**

Phone +972-4-6801000  
E-Mail info@sick-sensors.com

**Italia**

Phone +39 02 27 43 41  
E-Mail info@sick.it

**Japan**

Phone +81 (0)3 3358 1341  
E-Mail support@sick.jp

**Magyarország**

Phone +36 1 371 2680  
E-Mail office@sick.hu

**Nederlands**

Phone +31 (0)30 229 25 44  
E-Mail info@sick.nl

**Norge**

Phone +47 67 81 50 00  
E-Mail austefjord@sick.no

**Österreich**

Phone +43 (0)22 36 62 28 8-0  
E-Mail office@sick.at

**Polska**

Phone +48 22 837 40 50  
E-Mail info@sick.pl

**România**

Phone +40 356 171 120  
E-Mail office@sick.ro

**Russia**

Phone +7-495-775-05-30  
E-Mail info@sick.ru

**Schweiz**

Phone +41 41 619 29 39  
E-Mail contact@sick.ch

**Singapore**

Phone +65 6744 3732  
E-Mail admin@sicksgp.com.sg

**Slovenija**

Phone +386 (0)1-47 69 990  
E-Mail office@sick.si

**South Africa**

Phone +27 11 472 3733  
E-Mail info@sickautomation.co.za

**South Korea**

Phone +82 2 786 6321/4  
E-Mail info@sickkorea.net

**Suomi**

Phone +358-9-25 15 800  
E-Mail sick@sick.fi

**Sverige**

Phone +46 10 110 10 00  
E-Mail info@sick.se

**Taiwan**

Phone +886-2-2375-6288  
E-Mail sales@sick.com.tw

**Türkiye**

Phone +90 (216) 528 50 00  
E-Mail info@sick.com.tr

**United Arab Emirates**

Phone +971 (0) 4 8865 878  
E-Mail info@sick.ae

**USA/México**

Phone +1(952) 941-6780  
1 800-325-7425 – tollfree  
E-Mail info@sickusa.com

More representatives and agencies  
at [www.sick.com](http://www.sick.com)