



Photoelectric sensors
W8 Laser, Photoelectric proximity sensor,
Background suppression

WTB8L-N2211



Model Name > [WTB8L-N2211](#)
Part No. > [6033226](#)



Illustration may differ

At a glance

- Laser class 1
- Background suppression
- Standard miniature housing with M3 threaded mounting holes
- Switching frequency up to 2 kHz
- Light/dark switching via rotary switch
- Mounting bracket BEF-W100-A is included with delivery

Your benefits

- Highly flexible design and operational capabilities due to precise background suppression
- Reliable detection of small objects, regardless of color or surface qualities
- Rapid switching frequency reliably detects objects travelling at high speeds which allows to optimize the production processes
- Highly visible laser light spot simplifies alignment
- All necessary accessories are included with delivery, reducing installation and procurement costs



Features

Sensor/detection principle:	Photoelectric proximity sensor, Background suppression
Dimensions (W x H x D):	11 mm x 31 mm x 20 mm
Housing design (light emission):	Rectangular, Slim
Sensing range max.:	5 mm ... 100 mm ¹⁾
Sensing range:	20 mm ... 100 mm
Type of light:	Visible red light
Light source:	Laser ²⁾
Laser class:	I
Wave length:	650 nm
Alarm output:	-
Focus adjustable:	-
Adjustment:	Potentiometer, 4-turn
Light spot size (distance):	Ø 1 mm (100 mm)

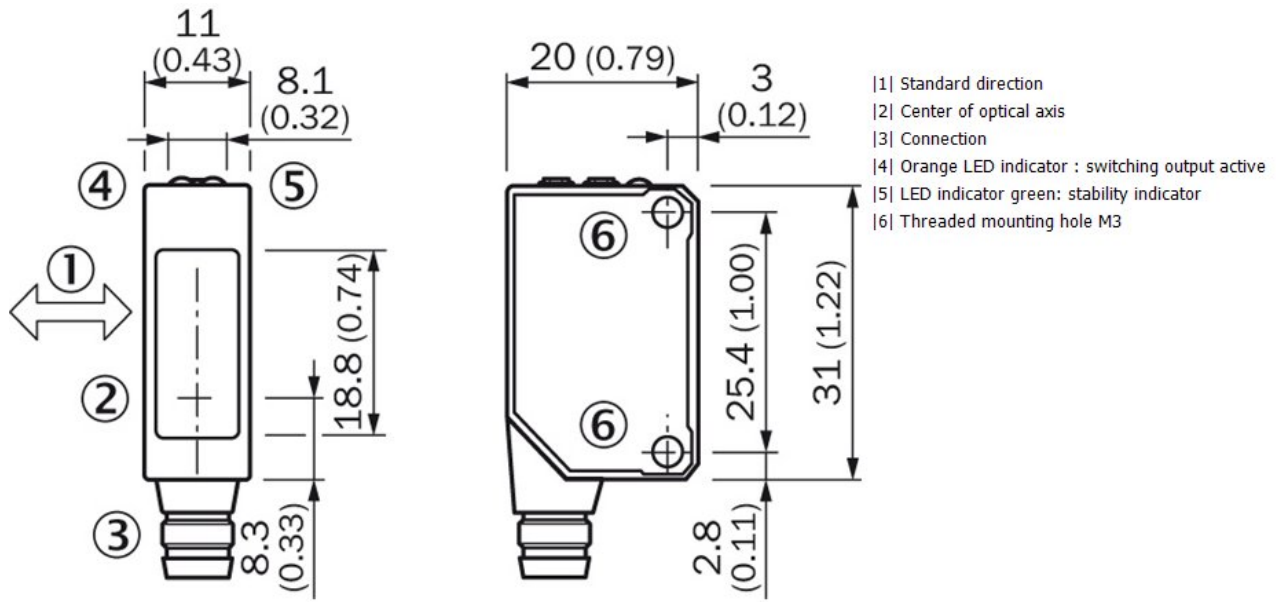
¹⁾ PL80A ²⁾ Average service life of 100,000 h at T_A = +25 °C

Mechanics/electronics

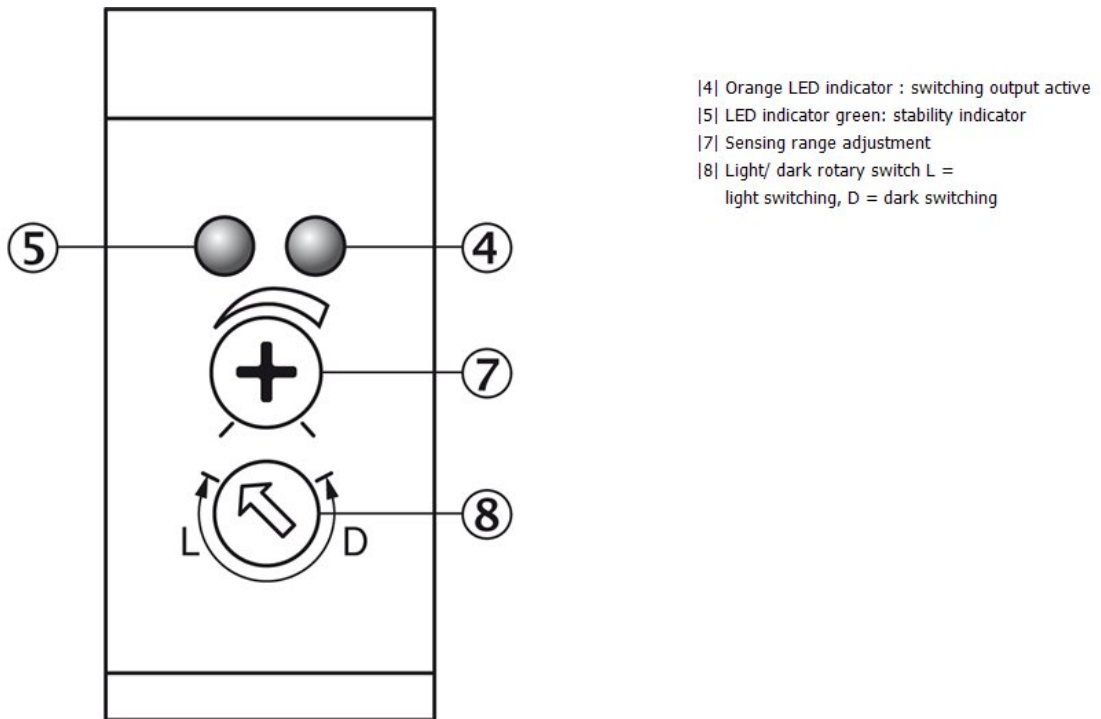
Supply voltage:	10 V DC ... 30 V DC ¹⁾
Ripple:	$\pm 10\%$ ²⁾
Power consumption:	$\leq 30\text{ mA}$ ³⁾
Output type:	NPN
Switching mode:	Light/dark-switching
Output characteristic:	Open collector
Switching mode selector:	Manually selectable
Signal voltage NPN HIGH/LOW:	Approx. $V_S / < 1.8\text{ V}$
Output current I _{max} :	100
Response time:	$\leq 0.25\text{ ms}$ ⁴⁾
Switching frequency:	2,000 ⁵⁾
Connection type:	Connector M8, 4-pin
Circuit protection:::	A, B, D ^{6) 7) 8)}
Weight:	10 g
Polarisation filter:	-
Front screen heating:	-
AS-Interface-Chip:	-
Housing material:	ABS, Plastic
Optics material:	PMMA
Enclosure rating:	IP 67
Items supplied:	Stainless steel mounting bracket (1.4301/304) BEF-W100-A
Ambient operating temperature:	-10 °C ... 50 °C
Ambient storage temperature:	-40 °C ... 70 °C
UL File No.:	CDRH-conform

¹⁾ Limit values, operation in short-circuit protected network max. 8 A ²⁾ May not exceed or fall short of V_S tolerances ³⁾ Without load ⁴⁾ Signal transit time with resistive load ⁵⁾ With light/dark ratio 1:1 ⁶⁾ A = V_S connections reverse-polarity protected ⁷⁾ B = inputs and output reverse-polarity protected ⁸⁾ D = outputs overcurrent and short-circuit protected

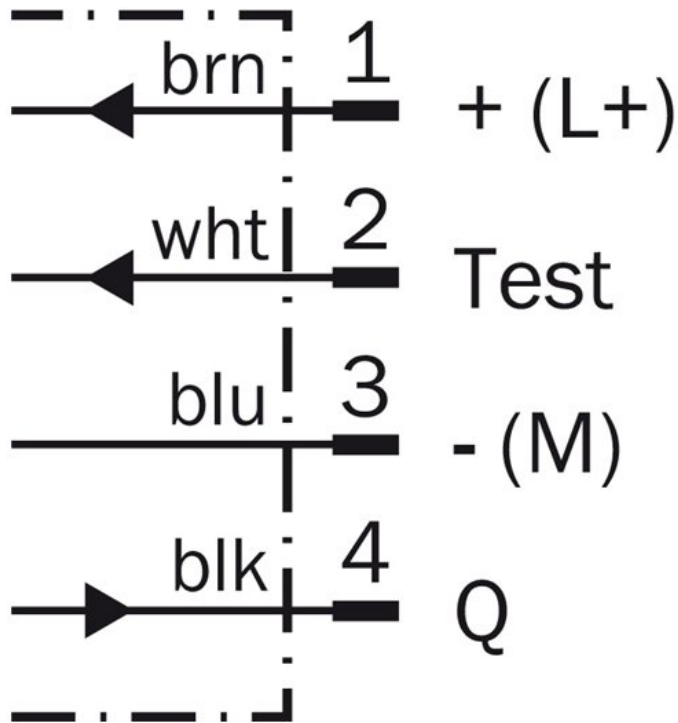
Dimensional drawing



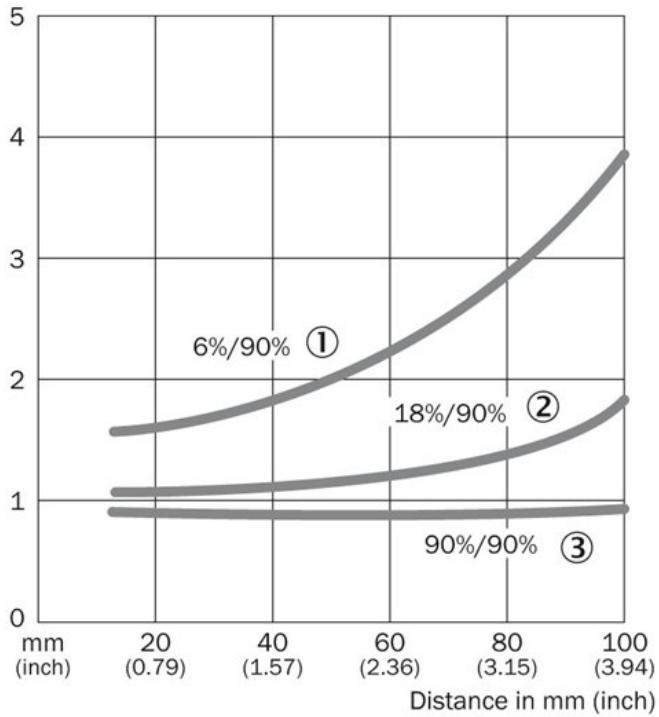
Adjustments possible



Connection diagram

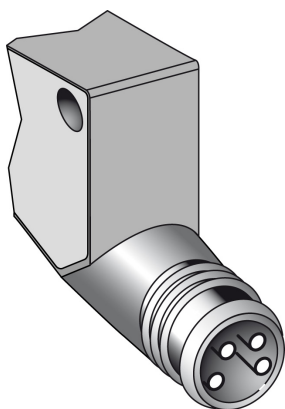


Characteristic curve

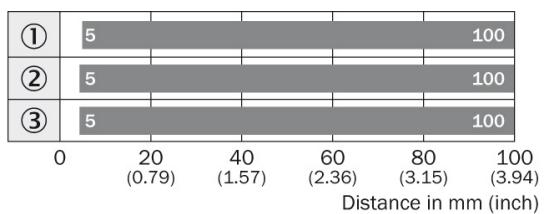


- [1] Sensing range on black, 6 % remission
- [2] Sensing range on grey, 18 % remission
- [3] Sensing range on white, 90 % remission

Connection type



Sensing range diagram



■ Sensing range

- ① Sensing range on black, 6 % remission
- ② Sensing range on gray, 18 % remission
- ③ Sensing range on white, 90 % remission

Australia

Phone +61 3 9457 0600
1800 334 802 – tollfree
E-Mail sales@sick.com.au

Belgium/Luxembourg

Phone +32 (0)2 466 55 66
E-Mail info@sick.be

Brasil

Phone +55 11 3215-4900
E-Mail sac@sick.com.br

Canada

Phone +1 905 771 14 44
E-Mail information@sick.com

Ceská Republika

Phone +420 2 57 91 18 50
E-Mail sick@sick.cz

China

Phone +86 4000 121 000
E-Mail info.china@sick.net.cn
Phone +852-2153 6300
E-Mail ghk@sick.com.hk

Danmark

Phone +45 45 82 64 00
E-Mail sick@sick.dk

Deutschland

Phone +49 211 5301-301
E-Mail kundenservice@sick.de

España

Phone +34 93 480 31 00
E-Mail info@sick.es

France

Phone +33 1 64 62 35 00
E-Mail info@sick.fr

Great Britain

Phone +44 (0)1727 831121
E-Mail info@sick.co.uk

India

Phone +91-22-4033 8333
E-Mail info@sick-india.com

Israel

Phone +972-4-6801000
E-Mail info@sick-sensors.com

Italia

Phone +39 02 27 43 41
E-Mail info@sick.it

Japan

Phone +81 (0)3 3358 1341
E-Mail support@sick.jp

Magyarország

Phone +36 1 371 2680
E-Mail office@sick.hu

Nederlands

Phone +31 (0)30 229 25 44
E-Mail info@sick.nl

Norge

Phone +47 67 81 50 00
E-Mail austefjord@sick.no

Österreich

Phone +43 (0)22 36 62 28 8-0
E-Mail office@sick.at

Polska

Phone +48 22 837 40 50
E-Mail info@sick.pl

România

Phone +40 356 171 120
E-Mail office@sick.ro

Russia

Phone +7-495-775-05-30
E-Mail info@sick.ru

Schweiz

Phone +41 41 619 29 39
E-Mail contact@sick.ch

Singapore

Phone +65 6744 3732
E-Mail admin@sicksgp.com.sg

Slovenija

Phone +386 (0)1-47 69 990
E-Mail office@sick.si

South Africa

Phone +27 11 472 3733
E-Mail info@sickautomation.co.za

South Korea

Phone +82 2 786 6321/4
E-Mail info@sickkorea.net

Suomi

Phone +358-9-25 15 800
E-Mail sick@sick.fi

Sverige

Phone +46 10 110 10 00
E-Mail info@sick.se

Taiwan

Phone +886-2-2375-6288
E-Mail sales@sick.com.tw

Türkiye

Phone +90 (216) 528 50 00
E-Mail info@sick.com.tr

United Arab Emirates

Phone +971 (0) 4 8865 878
E-Mail info@sick.ae

USA/México

Phone +1(952) 941-6780
1 800-325-7425 – tollfree
E-Mail info@sickusa.com

More representatives and agencies
at www.sick.com