



FUSE-SWITCH-DISCONNECTOR 3-POLE, NH3,  
630A 60MM BUSBAR SYSTEM COVER LEVEL 32/70 MM  
FLAT CONNECTOR FUSE MONITORING ELECTRONIC,  
EFM 20

Similar to image

**General technical details:**

<b>Type from device</b>		Zum Aufschnappen auf Sammelschienensystem Siemens 8US 60 mm
<b>mounting position</b>		waagrecht oder senkrecht
<b>Width</b>	mm	249.4
<b>Height</b>	mm	306
<b>Depth</b>	mm	195.7
<b>Center line spacing</b>	mm	60
<b>Busbar design</b>		Sammelschienenendicke 5 oder 10 mm
<b>Continuous current</b>		
• at 40 °C / rated value	A	150
• at 45 °C / rated value	A	140
• at 50 °C / rated value	A	130
• at 55 °C / rated value	A	120
<b>Operational current</b>		
• at AC-21 B		
• at 400 V / rated value	A	630
• at 500 V / rated value	A	630
• at 690 V / rated value	A	630
• at AC-22 B / at 400 V / rated value	A	630

<b>Rated current I<sub>e</sub> / maximum / in utilization category</b>		
• AC-22 B		
• at 500 V	A	630
• at 690 V	A	500
• AC-23 B		
• at 400 V	A	630
• at 500 V	A	500
• at 690 V	A	200
• Capacitor		
• at 400 V	A	72
• at 500 V	A	55
<b>Conditional short-circuit current (I<sub>q</sub>)</b>		
• at 500 V / with AC / with speedy activation / rated value	kA	50
• at 690 V / with AC / with speedy activation / rated value	kA	50
• with closed switch		
• at 500 V / with AC / rated value	kA	100
• at 690 V / with AC / rated value	kA	100
<b>Insulation voltage / rated value</b>	V	690
<b>Impulse voltage resistance / rated value</b>	kV	8
<b>Tension d'emploi</b>		
• sous AC		
• rated value	V	230 ... 690
<b>Power factor</b>		
• at AC-21 B		0.95
• at AC-22 B		0.65
• at AC-23 B		0.35
• with capacitive load		-0.25
<b>I<sup>2</sup>t value / with closed switch / maximum permissible</b>	kA <sup>2</sup> ·s	5,400
<b>Let-through current</b>		
• with speedy activation / maximum permissible	kA	50
• with closed switch / maximum permissible	kA	60
<b>Design of the load switch / Strip form</b>		No
<b>Fuse system</b>		LV HRC fuse
<b>Installation size of fuse-link</b>		NH2, NH3
<b>Installation size of disconnecting link</b>		3 and 2
<b>Active power loss / maximum</b>	W	48
<b>Design of the safety monitoring</b>		Electronic EFM20
<b>Product component / phase failure monitoring</b>		Yes
<b>Product extension / optional</b>		

• voltage trigger		No
• locking capability		Yes
<b>Product component</b>		
• undervoltage release mechanism		No
• undervoltage release with leading contact		No
<b>Product function / overvoltage protection monitoring</b>		Yes
<b>Product feature / sealable</b>		Yes
<b>Type of the driving mechanism / motor drive</b>		No
<b>Design of the electrical connection / for main current circuit</b>		flat connector
<b>Arrangement of electrical connectors / for main current circuit</b>		sonstige
<b>Conductor cross-section that can be connected / for main contacts</b>		
• solid	mm <sup>2</sup>	120 ... 300
• stranded	mm <sup>2</sup>	120 ... 300
<b>Tightening torque</b>		
• with screw-type terminals	N·m	10 ... 12
<b>Product extension / auxiliary switch</b>		Yes
<b>Number of NC contacts / for auxiliary contacts</b>		0
<b>Number of NO contacts / for auxiliary contacts</b>		0
<b>Number of change-over switches / for auxiliary contacts</b>		0
<b>Acceptability for application</b>		
• switch disconnecter		Yes
• emergency stop switch		No
• main switch		No
• safety cut-out switch		Yes
• maintenance/repair switch		Yes
<b>Type of mounting</b>		busbar mounting
• Rail installation		Yes
• front mounting		No
• floor mounting		No
<b>Largeur</b>		
• du jeu de barres	mm	12 ... 30
<b>IP degree of protection</b>		
• open		IP20
• with closed switch		
• without cover or cable lug cover		IP30
• with cover or cable lug cover		IP40
<b>Degree of pollution</b>		3
<b>Mechanical operating cycles as operating time / typical</b>		1,000
<b>Item designation / according to DIN EN 61346-2</b>		Q

## Ambient conditions:

### Ambient temperature

- during operating
- during storage

°C	-25 ... +55
°C	-50 ... +80

## Certificates/approvals:

### General Product Approval



CCC



GOST



UL



EG-Konf.

### Declaration of Conformity

### Test Certificates

[Special Test Certificate](#)

[Type Test Certificates/Test Report](#)

### Shipping Approval



DNV



GL



LRS

## Further information:

### Information- and Downloadcenter (Catalogs, Brochures,...)

<http://www.siemens.com/lowvoltage/catalogs>

### Industry Mall (Online ordering system)

<http://www.siemens.com/lowvoltage/mall>

### Service&Support (Manuals, Certificates, Characteristics, FAQs,...)

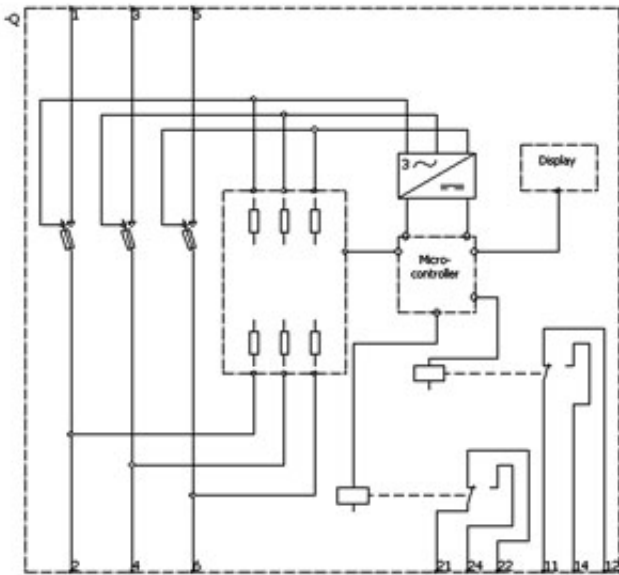
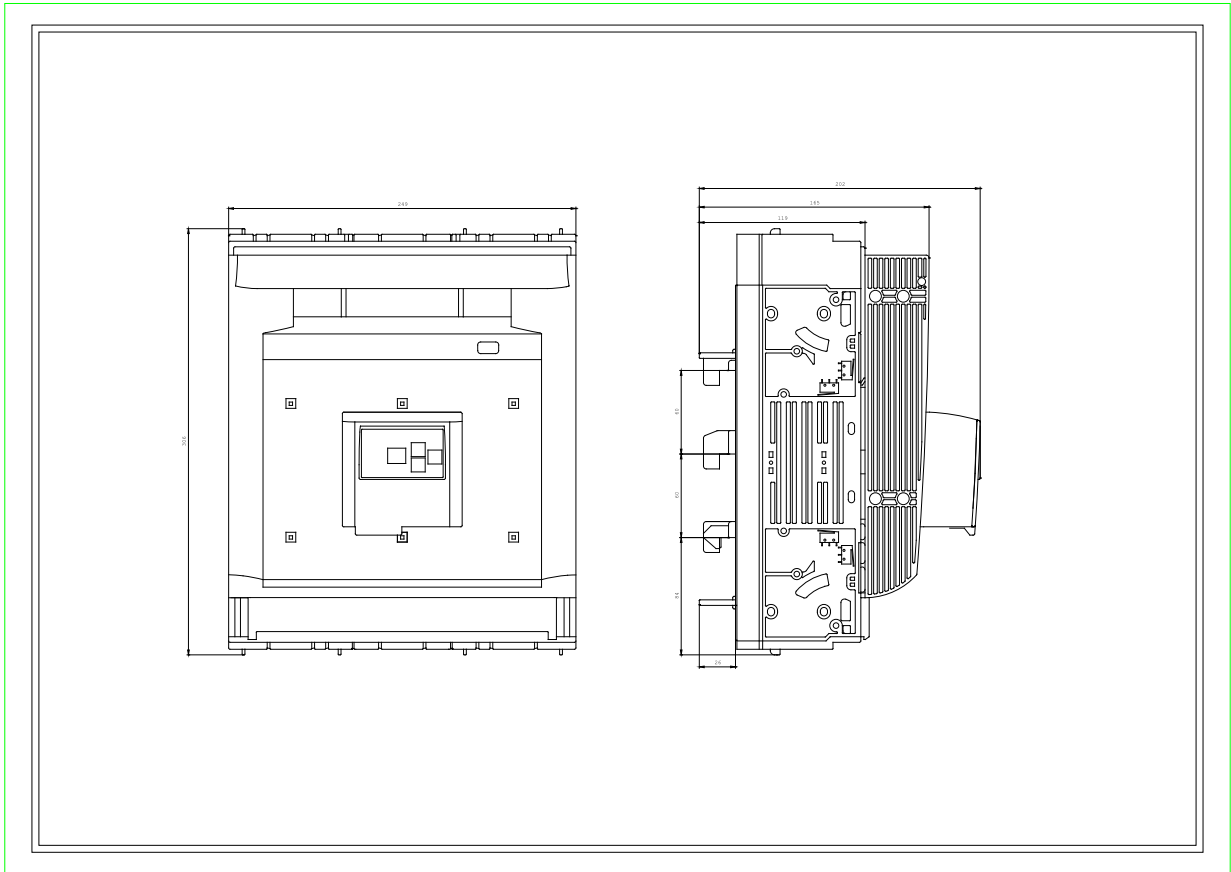
<http://support.automation.siemens.com/WW/view/en/3NP1163-1BC13/all>

### Image database (product images, 2D dimension drawings, 3D models, device circuit diagrams, ...)

[http://www.automation.siemens.com/bilddb/cax\\_en.aspx?mlfb=3NP1163-1BC13](http://www.automation.siemens.com/bilddb/cax_en.aspx?mlfb=3NP1163-1BC13)

### CAX-Online-Generator

<http://www.siemens.com/cax>



last change:

Nov 2, 2012