



Photoelectric sensors
W11-2, Through-beam photoelectric sensor

WSE11-2P1130



Model Name > [WSE11-2P1130](#)
Part No. > [1041395](#)



Illustration may differ

At a glance

- Through-beam photoelectric sensor
- Rugged housing for industrial use
- PinPoint LED technology with a highly visible light spot
- Space-saving plastic housing in chemically, thermally or mechanically resistant designs
- Dovetail mounting - standard mounting holes and oblong holes
- Highly visible 360° status LEDs
- Operating distance up to 20 m

Your benefits

- Custom ASIC provides reliable object detection, large sensing ranges and high reserve levels
- High immunity to optical interference reduces false readings and downtime
- PinPoint LED technology provides bright, small, precise light spots and enables quick and easy sensor alignment, first-class switching characteristics and reliable object detection
- Rugged housing design withstands harsh environments, reducing downtime and maintenance effort
- Highly visible 360° status LEDs provide quick and easy setup without additional personnel or costly training
- Easy installation using SICK accessories

Note: This part is discontinued. Please see the replacement product under "Replacement Products" link. "



Features

| | |
|----------------------------------|-----------------------------------|
| Sensor/detection principle: | Through-beam photoelectric sensor |
| Dimensions (W x H x D): | 15.6 mm x 48.5 mm x 42 mm |
| Housing design (light emission): | Rectangular |
| Sensing range max.: | 0 m ... 20 m |
| Sensing range: | 0 m ... 15 m |
| Type of light: | Visible red light |
| Light source: | LED |
| Wave length: | 633 nm |
| Angle of dispersion: | Ca. 1.5 ° |
| Light spot size (distance): | Ø 220 mm (15 m) |

Mechanics/electronics

| | |
|---------------------------------------|--|
| Supply voltage: | 10 V DC ... 30 V DC ¹⁾ |
| Power consumption, sender: | ≤ 25 mA ²⁾ |
| Power consumption, receiver: | ≤ 20 mA ³⁾ |
| Output type: | PNP |
| Output function: | Complementary |
| Switching mode: | Light/dark-switching |
| Signal voltage PNP HIGH/LOW: | U _v - 2.5 V / approx. 0 V |
| Output current I _{max.} : | 100 mA |
| Response time: | ≤ 2.5 ms ⁴⁾ |
| Switching frequency: | 200 Hz ⁵⁾ |
| Connection type: | Cable, 4-wire, 2 m ⁶⁾ |
| Cable material: | PVC |
| Conductor cross-section: | 0.25 mm ² |
| Circuit protection::: | A, C, D ^{7) 8) 9)} |
| Protection class: | II |
| Weight: | 200 g |
| Housing material: | ABS, Plastic |
| Optics material: | PMMA |
| Enclosure rating: | IP 66 IP 67 IP 69K |
| Test input sender off: | TE to 0 V |
| Ambient operating temperature: | -30 °C ... 60 °C |
| Ambient storage temperature: | -40 °C ... 75 °C |
| Part number of individual components: | Receiver, WE11-2P1130, 2046622, Sender, WS11-2D1130, 2046621 |
| UL File No.: | NRKH.E181493 & NRKH7.E181493 |

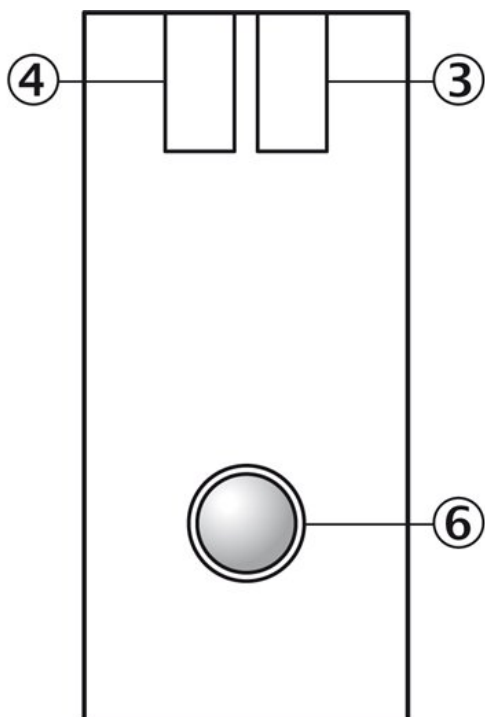
May not exceed or fall short of V_S tolerances;

¹⁾ Limit values, operation in short-circuit protected network max. 8 A ^{2) 3)} Without load ⁴⁾ Signal transit time with resistive load ⁵⁾ With light/dark ratio 1:1 ⁶⁾ Do not bend below 0 °C ⁷⁾ A = V_S connections reverse-polarity protected ⁸⁾ C = interference suppression ⁹⁾ D = outputs overcurrent and short-circuit protected

Dimensional drawing

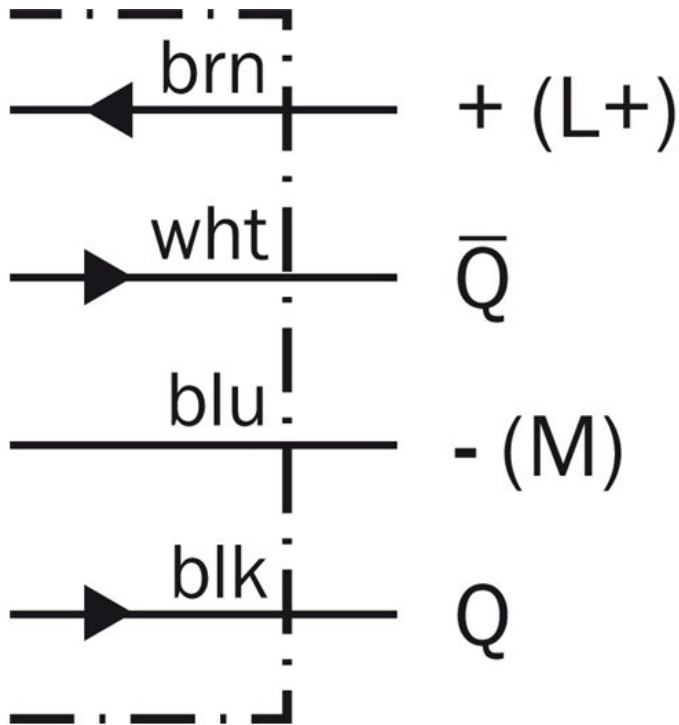
Image Unavailable
f:\Saqqara\im0045382.jpg

Adjustments possible

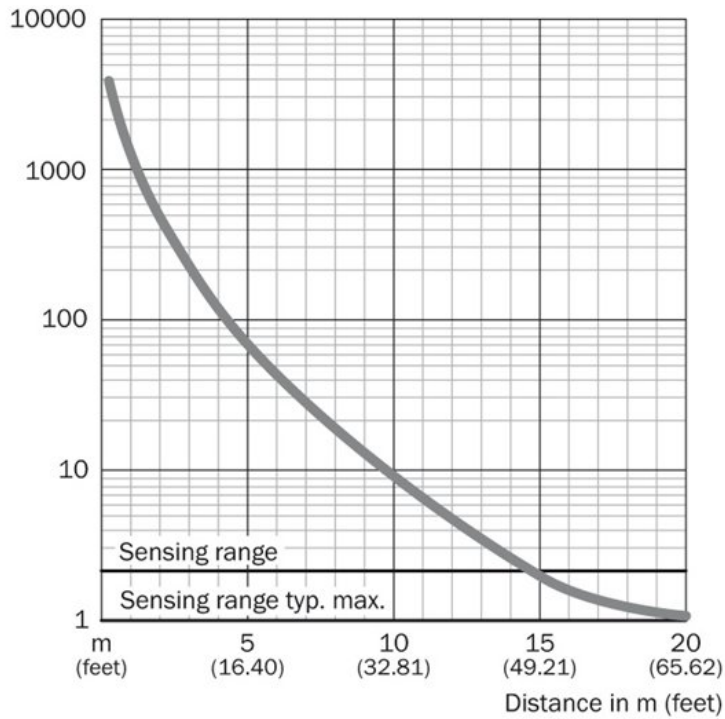


- |3| Status indicator LED green: power on
- |4| Status indicator LED,
yellow: Status of received light beam
- |6| Adjustment sensing range: single teach button

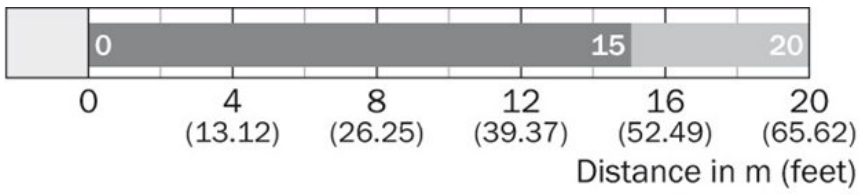
Connection diagram



Characteristic curve

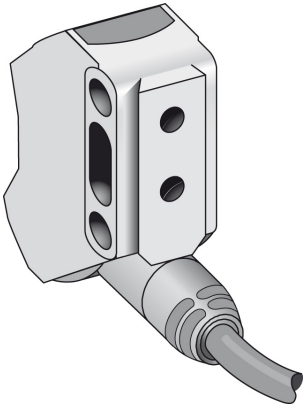


Sensing range diagram



■ Sensing range ■ Sensing range typ. max.

Connection type



Australia

Phone +61 3 9457 0600
1800 334 802 – tollfree
E-Mail sales@sick.com.au

Belgium/Luxembourg

Phone +32 (0)2 466 55 66
E-Mail info@sick.be

Brasil

Phone +55 11 3215-4900
E-Mail sac@sick.com.br

Canada

Phone +1 905 771 14 44
E-Mail information@sick.com

Ceská Republika

Phone +420 2 57 91 18 50
E-Mail sick@sick.cz

China

Phone +86 4000 121 000
E-Mail info.china@sick.net.cn
Phone +852-2153 6300
E-Mail ghk@sick.com.hk

Danmark

Phone +45 45 82 64 00
E-Mail sick@sick.dk

Deutschland

Phone +49 211 5301-301
E-Mail kundenservice@sick.de

España

Phone +34 93 480 31 00
E-Mail info@sick.es

France

Phone +33 1 64 62 35 00
E-Mail info@sick.fr

Great Britain

Phone +44 (0)1727 831121
E-Mail info@sick.co.uk

India

Phone +91-22-4033 8333
E-Mail info@sick-india.com

Israel

Phone +972-4-6801000
E-Mail info@sick-sensors.com

Italia

Phone +39 02 27 43 41
E-Mail info@sick.it

Japan

Phone +81 (0)3 3358 1341
E-Mail support@sick.jp

Magyarország

Phone +36 1 371 2680
E-Mail office@sick.hu

Nederlands

Phone +31 (0)30 229 25 44
E-Mail info@sick.nl

Norge

Phone +47 67 81 50 00
E-Mail austefjord@sick.no

Österreich

Phone +43 (0)22 36 62 28 8-0
E-Mail office@sick.at

Polska

Phone +48 22 837 40 50
E-Mail info@sick.pl

România

Phone +40 356 171 120
E-Mail office@sick.ro

Russia

Phone +7-495-775-05-30
E-Mail info@sick.ru

Schweiz

Phone +41 41 619 29 39
E-Mail contact@sick.ch

Singapore

Phone +65 6744 3732
E-Mail admin@sicksgp.com.sg

Slovenija

Phone +386 (0)1-47 69 990
E-Mail office@sick.si

South Africa

Phone +27 11 472 3733
E-Mail info@sickautomation.co.za

South Korea

Phone +82 2 786 6321/4
E-Mail info@sickkorea.net

Suomi

Phone +358-9-25 15 800
E-Mail sick@sick.fi

Sverige

Phone +46 10 110 10 00
E-Mail info@sick.se

Taiwan

Phone +886-2-2375-6288
E-Mail sales@sick.com.tw

Türkiye

Phone +90 (216) 528 50 00
E-Mail info@sick.com.tr

United Arab Emirates

Phone +971 (0) 4 8865 878
E-Mail info@sick.ae

USA/México

Phone +1(952) 941-6780
1 800-325-7425 – tollfree
E-Mail info@sickusa.com

More representatives and agencies
at www.sick.com