



ACCES.F.FUSE SWI. DISCONNECTOR FOR NH1-NH3
AUXILIARY SWITCH,
1 CO CONTACT SOLID-STATE COMPATIBLE

Similar to image

Technical data:

| | | |
|---------------------------------|--|------------------|
| Design type | | - |
| Type, explanations | | - |
| Type, explanations additionally | | - |
| Accessories | | Auxiliary switch |

Certificates/approvals:

General Product Approval

Declaration of Conformity



CCC



GOST



EG-Konf.

Further information:

Information- and Downloadcenter (Catalogs, Brochures,...)

<http://www.siemens.com/lowvoltage/catalogs>

Industry Mall (Online ordering system)

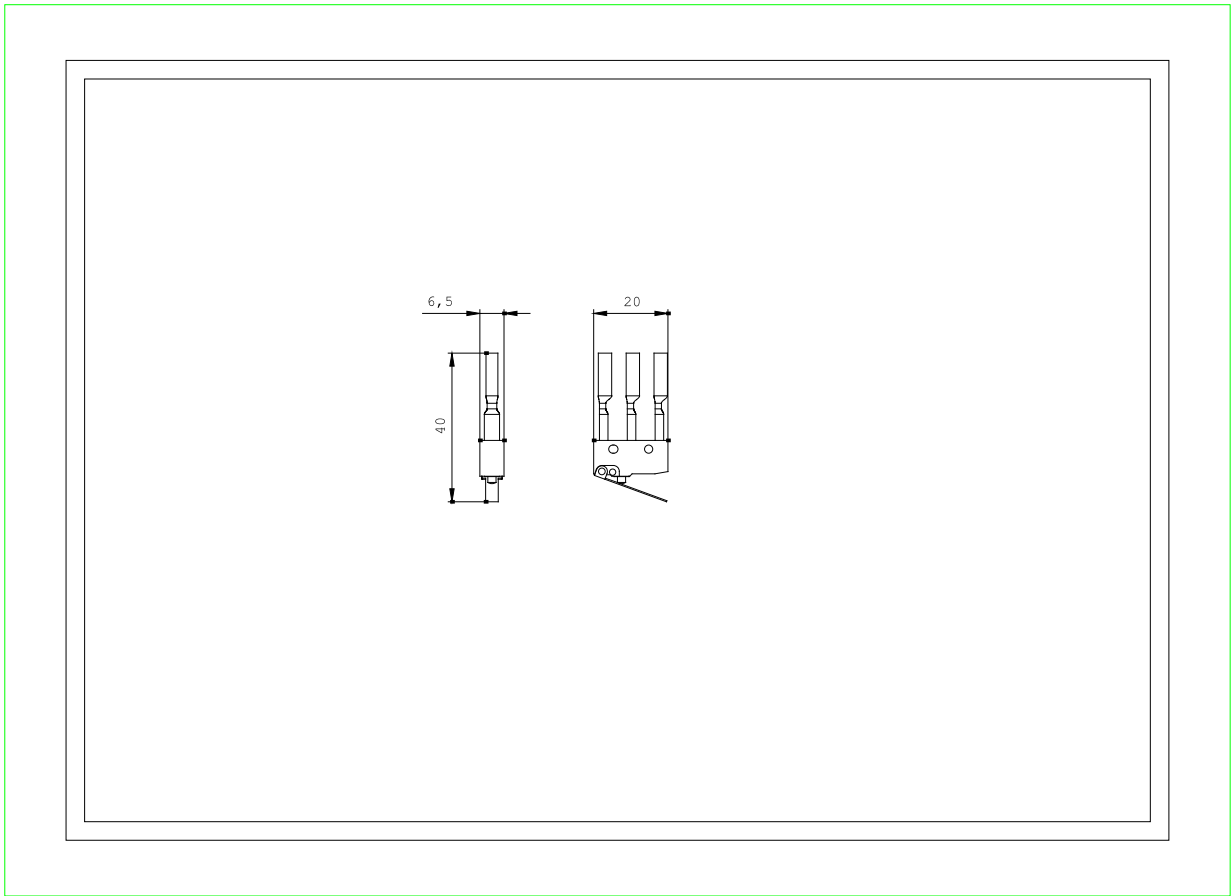
<http://www.siemens.com/lowvoltage/mall>

Service&Support (Manuals, Certificates, Characteristics, FAQs,...)

<http://support.automation.siemens.com/WWW/view/en/3NP1940-1FB00/all>

Image database (product images, 2D dimension drawings, 3D models, device circuit diagrams, ...)

http://www.automation.siemens.com/bilddb/cax_en.aspx?mlfb=3NP1940-1FB00



last change:

Feb 14, 2013