



Photoelectric sensors
W9-3 Glass, Photoelectric retro-reflective sensor,
autocollimation

WL9G-3F2232S01



Model Name > [WL9G-3F2232S01](#)

Part No. > [1058103](#)



Illustration may differ

At a glance

- High-performance clear material retro-reflective sensor in ultra-rugged VISTAL™ housing
- Best-in-class optical performance for transparent object detection
- Continuous threshold adjustment
- PinPoint LED for highly visible and precise light spot
- Variable mounting with M3 hole pattern
- Wide range of connection options

Your benefits

- Rugged VISTAL™ housing provides reliable installation and operation
- Best-in-class optical performance for transparent object detection
- Quick and easy alignment due to the highly visible PinPoint light spot
- M3 slotted hole mounting for multiple mounting possibilities
- One housing with a wide variety of options makes machine integration easy
- Variety of accessories for simple mounting



Features

| | |
|----------------------------------|--|
| Sensor/detection principle: | Photoelectric retro-reflective sensor, autocollimation |
| Dimensions (W x H x D): | 12.2 mm x 49.8 mm x 23.6 mm |
| Housing design (light emission): | Rectangular |
| Mounting hole: | M3 |
| Sensing range max.: | 0 m ... 5 m ¹⁾ |
| Sensing range: | 0 m ... 3 m ²⁾ |
| Type of light: | Visible red light |
| Light source: | PinPoint LED ³⁾ |
| Wave length: | 650 nm |
| Teach-in: | Single teach-in button |
| Adjustment: | Teach-in |
| Light spot size (distance): | Ø 45 mm (1.5 m) |
| Continuous threshold adaption: | ✓ |

^{1) 2)} PL80A ³⁾ Average service life of 100,000 h at T_A = +25 °C

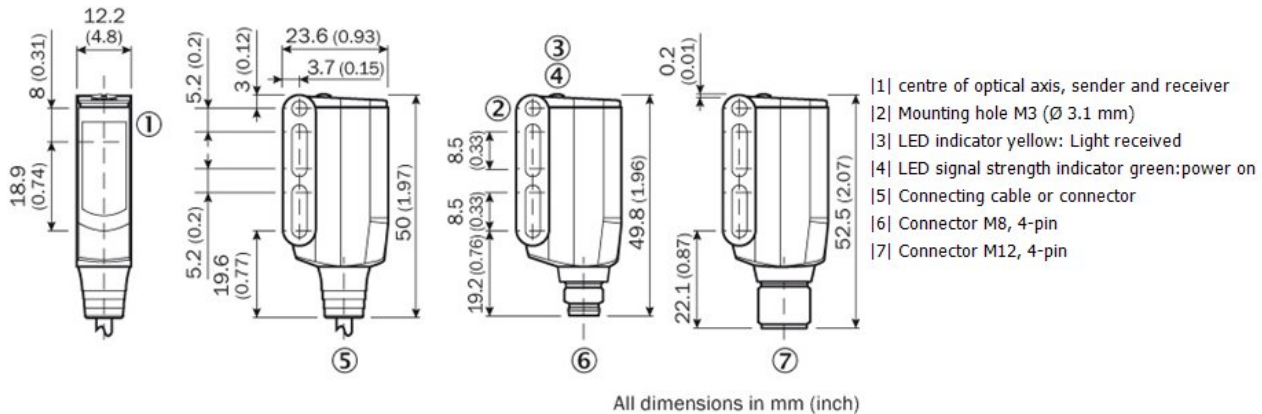
Mechanics/electronics

| | |
|-----------------|-----------------------------------|
| Supply voltage: | 10 V DC ... 30 V DC ¹⁾ |
| Ripple: | < 5 Vpp ²⁾ |

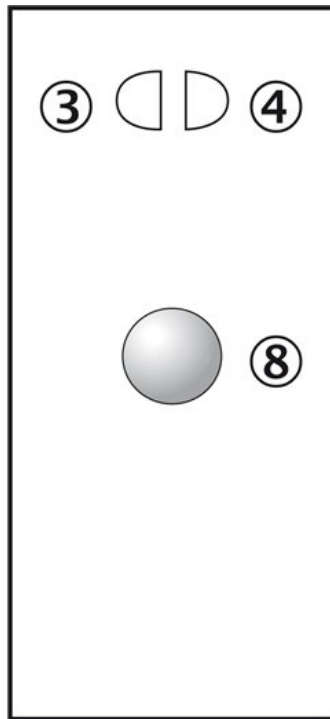
| | |
|------------------------------------|-------------------------------|
| Power consumption: | ≤ 20 mA ³⁾ |
| Output type: | PNP ⁴⁾ |
| Switching mode: | Dark-switching ⁵⁾ |
| Output current I _{max.} : | ≤ 100 mA ⁶⁾ |
| Response time: | < 0.5 ms ⁷⁾ |
| Switching frequency: | 1,000 Hz ⁸⁾ |
| Connection type: | Connector M8, 4-pin |
| Circuit protection::: | A, B, C ^{9) 10) 11)} |
| Protection class: | III |
| Weight: | 13 g |
| Polarisation filter: | ✓ |
| Housing material: | Plastic, VISTAL |
| Optics material: | PMMA |
| Enclosure rating: | IP 66 IP 67 IP 69K |
| Special feature: | For transparent objects |
| Special features: | Changed PIN assignment |
| Ambient operating temperature: | -40 °C ... 60 °C |
| Ambient storage temperature: | -40 °C ... 75 °C |
| UL File No.: | NRKH.E181493 |

1) Limit values, operation in short-circuit protected network max. 8 A²⁾ May not exceed or fall short of V_S tolerances³⁾ Without load^{4) 5)} Q = dark-switching⁶⁾ As of Tu 50 °C, a max. load current I_{max.} = 50 mA is permitted⁷⁾ Signal transit time with resistive load⁸⁾ With light/dark ratio 1:1⁹⁾ A = V_S connections reverse-polarity protected¹⁰⁾ B = inputs and output reverse-polarity protected¹¹⁾ C = interference suppression

Dimensional drawing

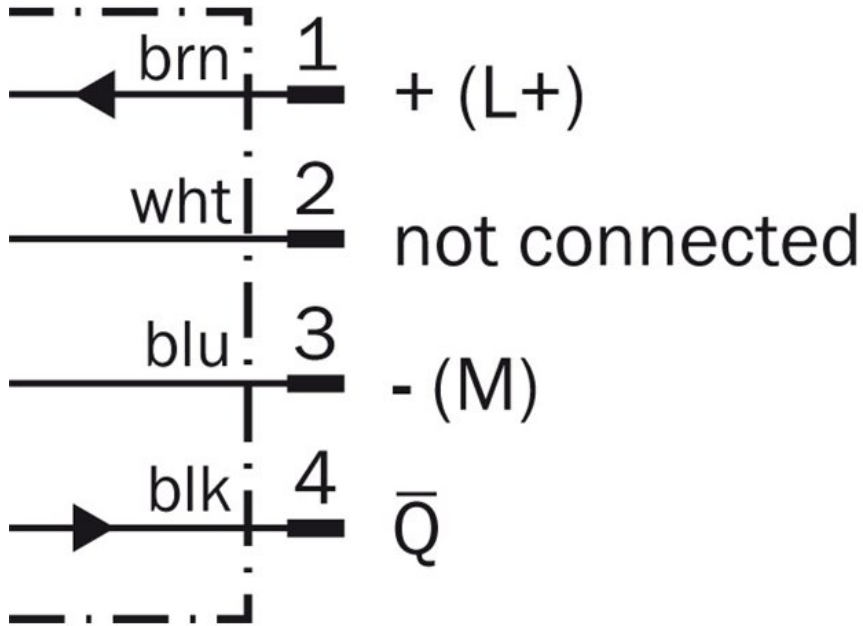


Adjustments possible

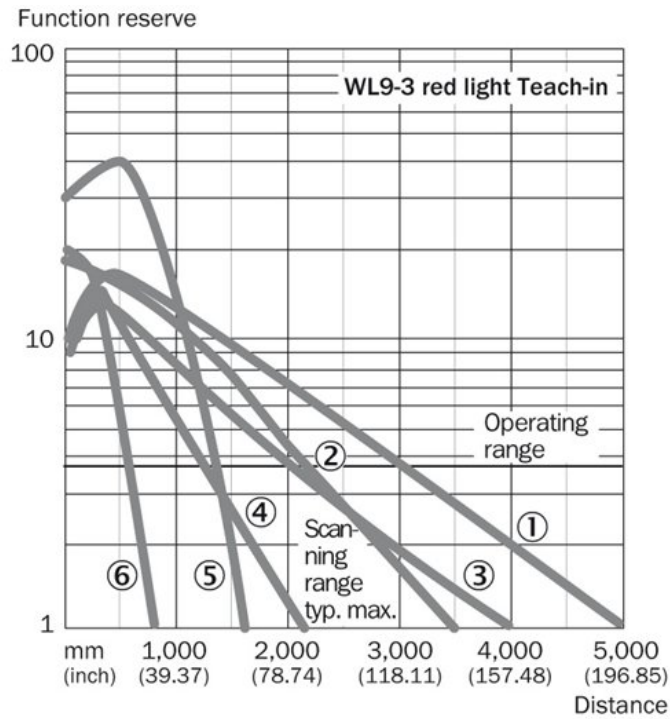


- |3| LED indicator yellow: Light received
- |4| LED signal strength indicator green: power on
- |8| Teach-in button

Connection diagram

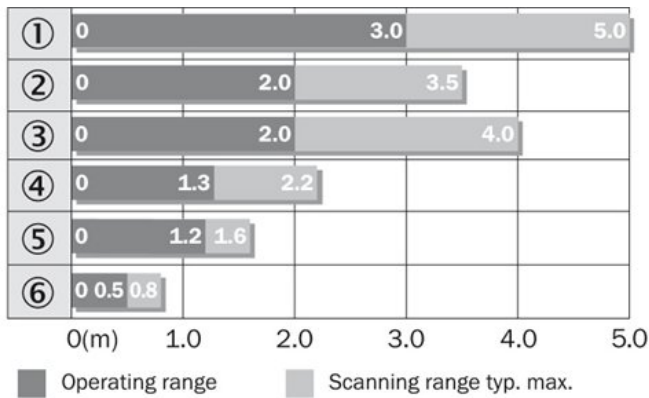


Characteristic curve



- |1| PL80A
- |2| P250F
- |3| PL40A
- |4| PL20F
- |5| PL10F
- |6| REF-IRF-56

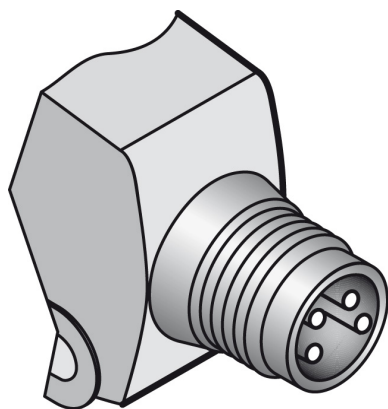
Sensing range diagram



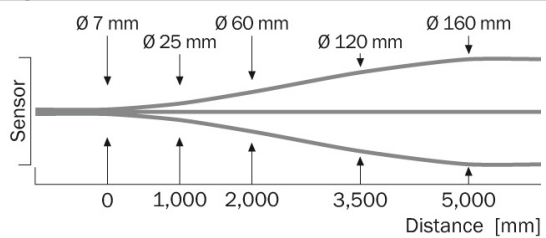
- |1| PL80A
- |2| P250F
- |3| PL40A
- |4| PL20F
- |5| PL10F
- |6| REF-IRF-56

| | Reflector type | Operating range |
|---|----------------|-----------------|
| ① | PL80A | 0 ... 3.0 m |
| ② | P250 | 0 ... 2.0 m |
| ③ | PL40A | 0 ... 2.0 m |
| ④ | PL20A | 0 ... 1.3 m |
| ⑤ | PL10F | 0 ... 1.2 m |
| ⑥ | REF-IRF-56 | 0 ... 0.5 m |

Connection type



Light spot size



Australia

Phone +61 3 9457 0600
1800 334 802 – tollfree
E-Mail sales@sick.com.au

Belgium/Luxembourg

Phone +32 (0)2 466 55 66
E-Mail info@sick.be

Brasil

Phone +55 11 3215-4900
E-Mail sac@sick.com.br

Canada

Phone +1 905 771 14 44
E-Mail information@sick.com

Ceská Republika

Phone +420 2 57 91 18 50
E-Mail sick@sick.cz

China

Phone +86 4000 121 000
E-Mail info.china@sick.net.cn
Phone +852-2153 6300
E-Mail ghk@sick.com.hk

Danmark

Phone +45 45 82 64 00
E-Mail sick@sick.dk

Deutschland

Phone +49 211 5301-301
E-Mail kundenservice@sick.de

España

Phone +34 93 480 31 00
E-Mail info@sick.es

France

Phone +33 1 64 62 35 00
E-Mail info@sick.fr

Great Britain

Phone +44 (0)1727 831121
E-Mail info@sick.co.uk

India

Phone +91-22-4033 8333
E-Mail info@sick-india.com

Israel

Phone +972-4-6801000
E-Mail info@sick-sensors.com

Italia

Phone +39 02 27 43 41
E-Mail info@sick.it

Japan

Phone +81 (0)3 3358 1341
E-Mail support@sick.jp

Magyarország

Phone +36 1 371 2680
E-Mail office@sick.hu

Nederlands

Phone +31 (0)30 229 25 44
E-Mail info@sick.nl

Norge

Phone +47 67 81 50 00
E-Mail austefjord@sick.no

Österreich

Phone +43 (0)22 36 62 28 8-0
E-Mail office@sick.at

Polska

Phone +48 22 837 40 50
E-Mail info@sick.pl

România

Phone +40 356 171 120
E-Mail office@sick.ro

Russia

Phone +7-495-775-05-30
E-Mail info@sick.ru

Schweiz

Phone +41 41 619 29 39
E-Mail contact@sick.ch

Singapore

Phone +65 6744 3732
E-Mail admin@sicksgp.com.sg

Slovenija

Phone +386 (0)1-47 69 990
E-Mail office@sick.si

South Africa

Phone +27 11 472 3733
E-Mail info@sickautomation.co.za

South Korea

Phone +82 2 786 6321/4
E-Mail info@sickkorea.net

Suomi

Phone +358-9-25 15 800
E-Mail sick@sick.fi

Sverige

Phone +46 10 110 10 00
E-Mail info@sick.se

Taiwan

Phone +886-2-2375-6288
E-Mail sales@sick.com.tw

Türkiye

Phone +90 (216) 528 50 00
E-Mail info@sick.com.tr

United Arab Emirates

Phone +971 (0) 4 8865 878
E-Mail info@sick.ae

USA/México

Phone +1(952) 941-6780
1 800-325-7425 – tollfree
E-Mail info@sickusa.com

More representatives and agencies
at www.sick.com