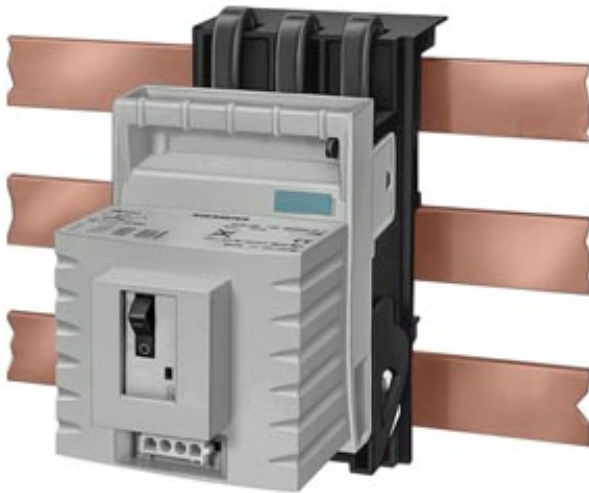


FUSE-SWITCH-DISCONNECTOR SIGUT CONNECTION  
 TOP/SIZE,  
 40MM, ADAPTOR FLAT,  
 SIGUT BOX TERMINAL TOP FUSE SIZE NH00



Similar to image

**General technical details:**

<b>product brand name</b>		SETRON
<b>Product designation</b>		3NP4 fuse switch disconnecter
<b>Design of the product</b>		For snapping on 40 mm busbar systems, with adapter, deep, without high-speed closing
<b>Number of poles</b>		3
<b>Continuous current / rated value</b>	A	160
<b>Current / rated value</b>	A	160
<b>Breaking capacity limit short-circuit current (I<sub>cu</sub>) / at 400 V / rated value</b>	kA	0.8
<b>Type of voltage</b>		AC/DC
<ul style="list-style-type: none"> <li>• Control supply voltage / at 50 Hz / at AC / rated value</li> <li>• Operating voltage / at 50/60 Hz / for AC / rated value</li> <li>• Operating voltage / for DC / rated value</li> </ul>	V	690
	V	220
<b>Insulation voltage / rated value</b>	V	690
<b>Impulse voltage resistance / rated value</b>	kV	6
<b>Operating current / at AC-21 / rated value</b>	A	160
<b>Design of the load switch / Strip form</b>		No
<b>Fuse system</b>		LV HRC fuse
<b>Installation size of disconnecting link</b>		00 and 000

Active power loss / maximum	W	10
Product function / fuse monitoring		No
Design of the electrical connection / for main current circuit		box terminals
Number of NC contacts / for auxiliary contacts		0
Number of NO contacts / for auxiliary contacts		0
Number of changeover contacts / for auxiliary contacts		0
Acceptability for application		system protection
• switch disconnecter		Yes
• emergency stop switch		No
• main switch		No
• safety cut-out switch		Yes
Design of the operating mechanism		handle unit
Mounting type		busbar mounting
Center line spacing	mm	40
Protection class IP / on the front		IP00
Mounting type		Plug-in
Number of width units		1
Installation altitude / at a height over sea level / maximum	m	2,000
Design of the electrical connection		Box terminal, top, 2.5-70 mm <sup>2</sup>
Ambient temperature		
• during operating	°C	-25 ... +55
• during storage	°C	-50 ... +80
Degree of pollution		3
Height	mm	170
Width	mm	108
Depth	mm	130
Net weight	g	1,210
Reference code / according to DIN EN 61346-2		Q
Item designation / according to DIN EN 81346-2		Q

#### Certificates/approvals:

##### General Product Approval



##### Test Certificates

[Special Test Certificate](#)

##### other

[Confirmation](#)

[Declaration of Conformity](#)

[other](#)

#### Further information:

**Information- and Downloadcenter (Catalogs, Brochures,...)**

<http://www.siemens.com/lowvoltage/catalogs>

**Industry Mall (Online ordering system)**

<https://eb.automation.siemens.com/mall/en/WW/Catalog/Product/3NP4075-1CK01>

**Service&Support (Manuals, Certificates, Characteristics, FAQs,...)**

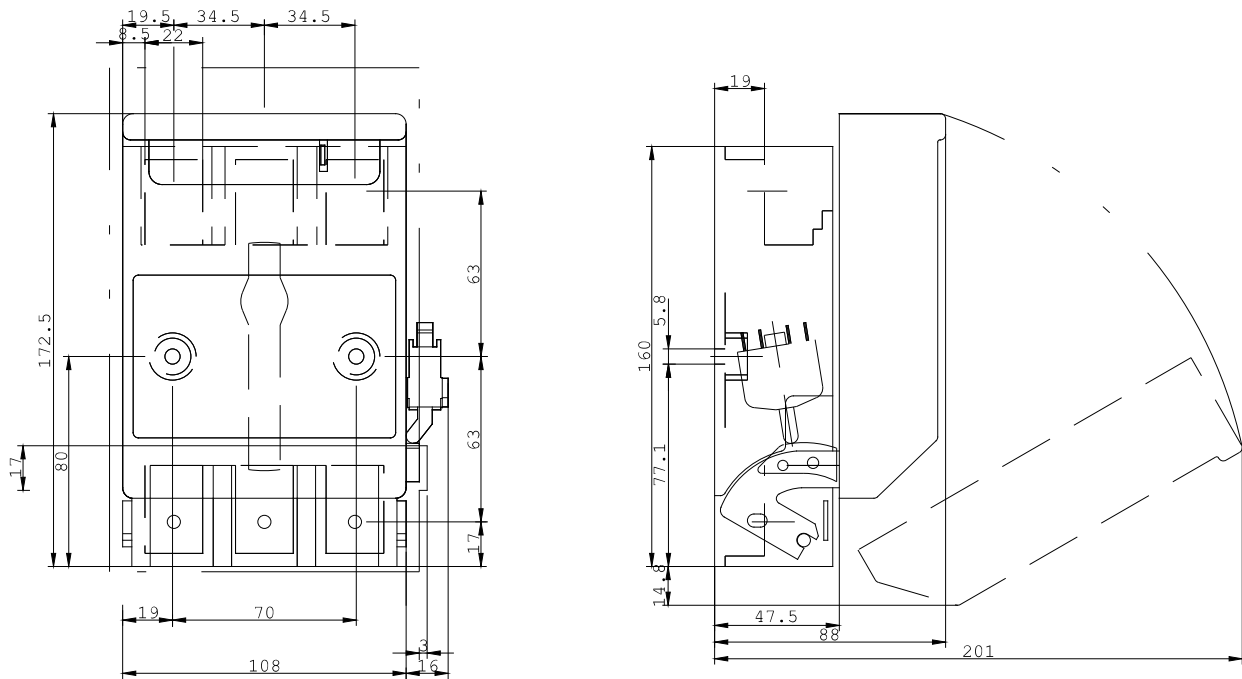
<http://support.automation.siemens.com/WW/view/en/3NP4075-1CK01/all>

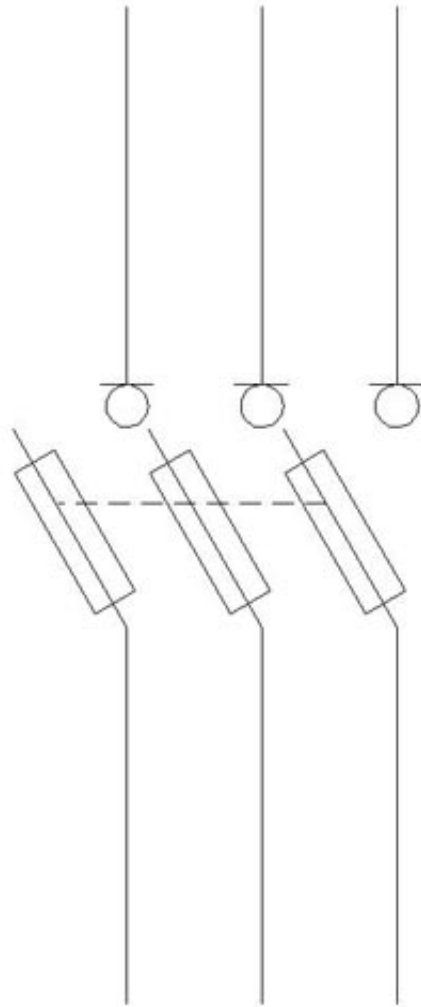
**Image database (product images, 2D dimension drawings, 3D models, device circuit diagrams, ...)**

[http://www.automation.siemens.com/bilddb/cax\\_en.aspx?mlfb=3NP4075-1CK01](http://www.automation.siemens.com/bilddb/cax_en.aspx?mlfb=3NP4075-1CK01)

**CAX-Online-Generator**

<http://www.siemens.com/cax>





**last change:**

Jul 28, 2014