



Photoelectric sensors  
V180-2, Through-beam photoelectric sensor

VSE180-2P42434



**Model Name** > VSE180-2P42434  
**Part No.** > 6043850



Illustration may differ

**At a glance**

- Lowest-cost M18 housing sensor on the market
- Sensing distance up to 28 m
- Bright power and signal LEDs with 360° visibility
- High switching frequencies up to 1000 Hz
- Available in a metal housing for applications in harsh environments
- Optical axis selectively axial or radial (90°)
- Wide product portfolio solves a broad range of applications

**Your benefits**

- Lowest-cost M18 cylindrical sensor on the market reduces installation costs
- Bright red sender LED simplifies alignment and saves installation time
- Bright power and signal LEDs with 360° visibility offer quick and simple troubleshooting, reducing maintenance time and costs
- The flat and smooth lens reduces the collection of dust and dirt, ensuring safe operation with less maintenance and fewer costs



**Features**

Sensor/detection principle:	Through-beam photoelectric sensor
Housing design (light emission):	Cylindrical, angled
Housing length:	83.8 mm
Optical axis:	Radial
Sensing range max.:	0 m ... 25 m
Sensing range:	0 m ... 19 m
Type of light:	Visible red light
Light source:	LED <sup>1)</sup>
Wave length:	645 nm
Angle of dispersion:	Ca. 5 °
Adjustment:	Potentiometer, 270° <sup>2)</sup>
Light spot size (distance):	Ø 1,100 mm (20 m)

<sup>1)</sup> Average service life of 100,000 h at T<sub>A</sub> = +25 °C <sup>2)</sup> Receiver

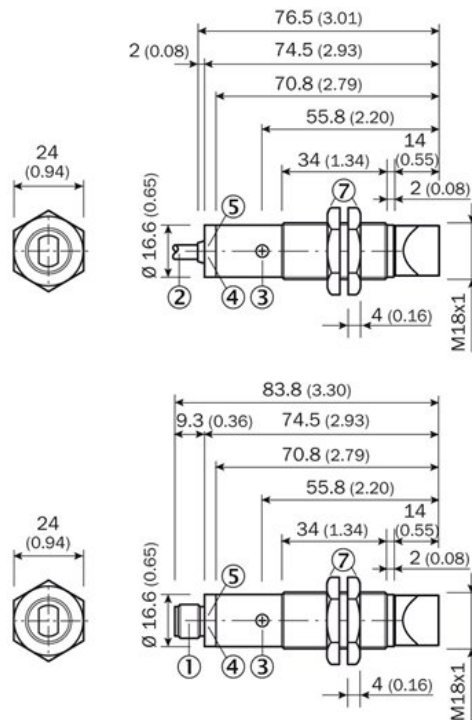
**Mechanics/electronics**

Supply voltage:	10 V DC ... 30 V DC <sup>1)</sup>
Ripple:	± 10 %
Power consumption, sender:	≤ 20 mA <sup>2)</sup>

Power consumption, receiver:	≤ 15 mA <sup>3)</sup>
Output type:	PNP, open collector <sup>4)</sup>
Switching mode:	Light/dark-switching <sup>5)</sup>
Signal voltage PNP HIGH/LOW:	Approx. VS - 1.8 V / 0 V
Output current I <sub>max</sub> :	≤ 100 mA
Response time:	≤ 0.5 ms <sup>6)</sup>
Switching frequency:	1,000 Hz <sup>7)</sup>
Connection type:	Connector M12, 4-pin
Circuit protection:::	A, B, D <sup>8) 9) 10)</sup>
Protection class:	III
Weight:	94 g
Polarisation filter:	-
Housing material:	Nickel-plated brass and PC, Metal
Optics material:	PMMA
Enclosure rating:	IP 67
Ambient operating temperature:	-25 °C ... 55 °C
Ambient storage temperature:	-40 °C ... 70 °C

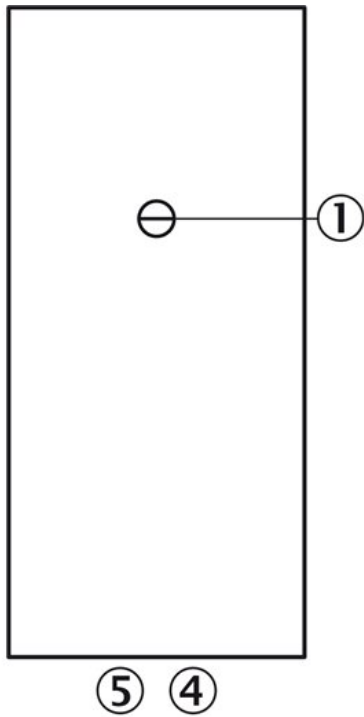
<sup>1)</sup> Limit values, operation in short-circuit protected network max. 8 A <sup>2) 3)</sup> Without load <sup>4) 5)</sup> Control wire open: dark-switching D.ON <sup>6)</sup> Signal transit time with resistive load <sup>7)</sup> With light/dark ratio 1:1 <sup>8)</sup> A = V<sub>S</sub> connections reverse-polarity protected <sup>9)</sup> B = inputs and output reverse-polarity protected <sup>10)</sup> D = outputs overcurrent and short-circuit protected

## Dimensional drawing



- [1] Connector M12, 3-pin / Connector M12, 3-pin
- [2] Connection cable 2 m
- [3] Sensitivity control; Potentiometer 270° (only VE)
- [4] LED indicator orange: switching output active (only VE)
- [5] LED indicator green, stability indicator  
(only VE): LED lights continuously = light reception on < 0.9 / > 1.1; LED off = light reception > 0.9 / < 1.1
- [7] Metal housing, fastening nuts (2 x); width across 24

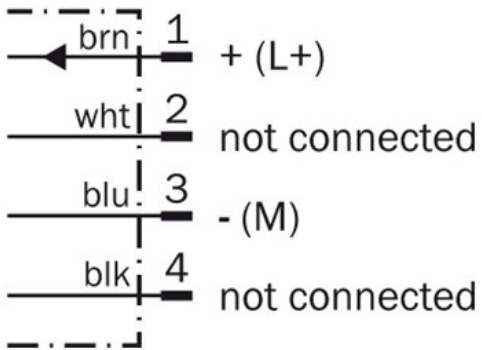
Adjustments possible



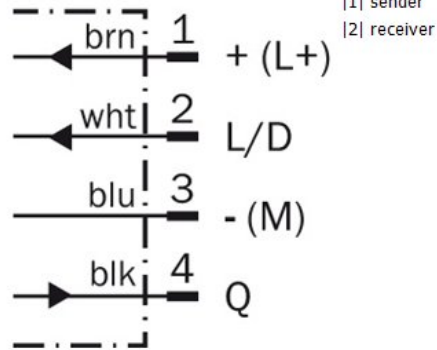
- |3| Sensitivity adjustment 270°
- |4| LED indicator orange: switching output active
- |5| LED indicator green

Connection diagram

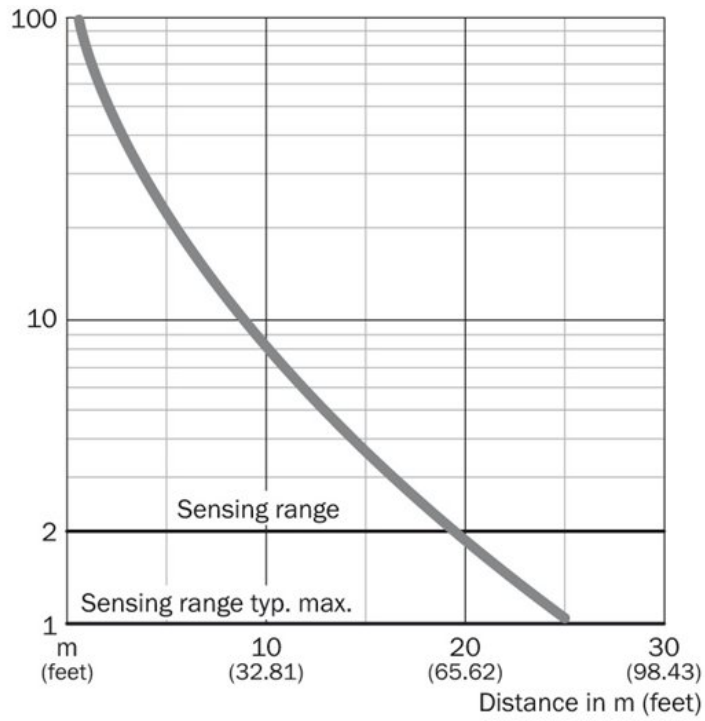
①



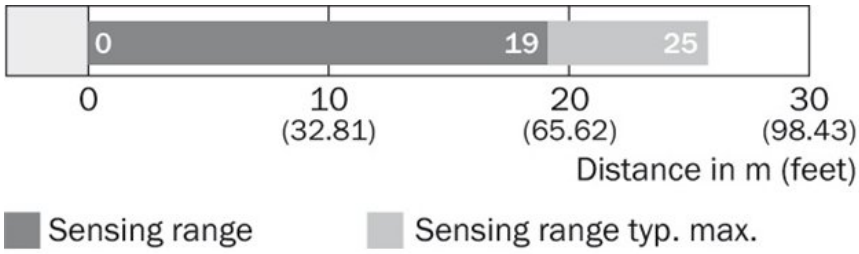
②



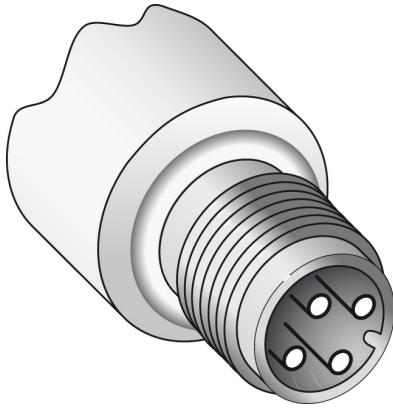
### Characteristic curve



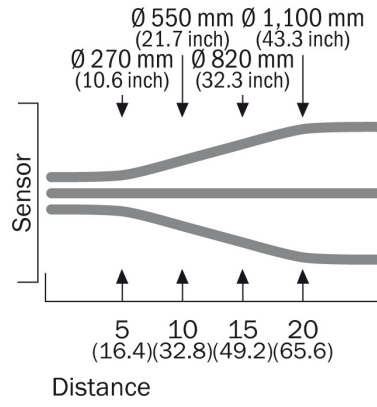
### Sensing range diagram



### Connection type



### Light spot size



**Australia**

Phone +61 3 9457 0600  
1800 334 802 – tollfree  
E-Mail sales@sick.com.au

**Belgium/Luxembourg**

Phone +32 (0)2 466 55 66  
E-Mail info@sick.be

**Brasil**

Phone +55 11 3215-4900  
E-Mail sac@sick.com.br

**Canada**

Phone +1 905 771 14 44  
E-Mail information@sick.com

**Ceská Republika**

Phone +420 2 57 91 18 50  
E-Mail sick@sick.cz

**China**

Phone +86 4000 121 000  
E-Mail info.china@sick.net.cn  
Phone +852-2153 6300  
E-Mail ghk@sick.com.hk

**Danmark**

Phone +45 45 82 64 00  
E-Mail sick@sick.dk

**Deutschland**

Phone +49 211 5301-301  
E-Mail kundenservice@sick.de

**España**

Phone +34 93 480 31 00  
E-Mail info@sick.es

**France**

Phone +33 1 64 62 35 00  
E-Mail info@sick.fr

**Great Britain**

Phone +44 (0)1727 831121  
E-Mail info@sick.co.uk

**India**

Phone +91-22-4033 8333  
E-Mail info@sick-india.com

**Israel**

Phone +972-4-6801000  
E-Mail info@sick-sensors.com

**Italia**

Phone +39 02 27 43 41  
E-Mail info@sick.it

**Japan**

Phone +81 (0)3 3358 1341  
E-Mail support@sick.jp

**Magyarország**

Phone +36 1 371 2680  
E-Mail office@sick.hu

**Nederlands**

Phone +31 (0)30 229 25 44  
E-Mail info@sick.nl

**Norge**

Phone +47 67 81 50 00  
E-Mail austefjord@sick.no

**Österreich**

Phone +43 (0)22 36 62 28 8-0  
E-Mail office@sick.at

**Polska**

Phone +48 22 837 40 50  
E-Mail info@sick.pl

**România**

Phone +40 356 171 120  
E-Mail office@sick.ro

**Russia**

Phone +7-495-775-05-30  
E-Mail info@sick.ru

**Schweiz**

Phone +41 41 619 29 39  
E-Mail contact@sick.ch

**Singapore**

Phone +65 6744 3732  
E-Mail admin@sicksgp.com.sg

**Slovenija**

Phone +386 (0)1-47 69 990  
E-Mail office@sick.si

**South Africa**

Phone +27 11 472 3733  
E-Mail info@sickautomation.co.za

**South Korea**

Phone +82 2 786 6321/4  
E-Mail info@sickkorea.net

**Suomi**

Phone +358-9-25 15 800  
E-Mail sick@sick.fi

**Sverige**

Phone +46 10 110 10 00  
E-Mail info@sick.se

**Taiwan**

Phone +886-2-2375-6288  
E-Mail sales@sick.com.tw

**Türkiye**

Phone +90 (216) 528 50 00  
E-Mail info@sick.com.tr

**United Arab Emirates**

Phone +971 (0) 4 8865 878  
E-Mail info@sick.ae

**USA/México**

Phone +1(952) 941-6780  
1 800-325-7425 – tollfree  
E-Mail info@sickusa.com

More representatives and agencies  
at [www.sick.com](http://www.sick.com)